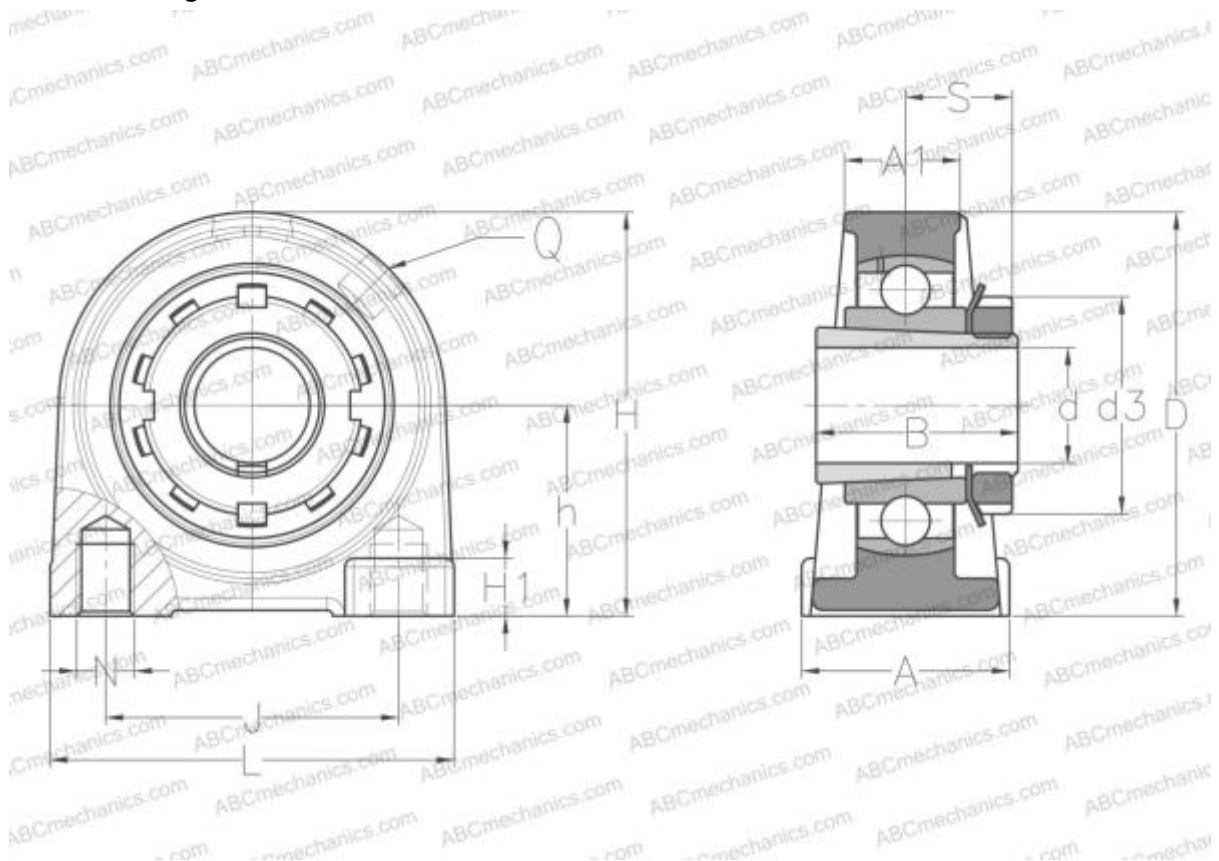


UKPG209H SNR

Ball bearing units

TYPE: Housing units, Plummer block, Narrow cast iron housing, Radial insert ball bearing with adapter sleeve, With inner ring extended on both sides, wide base



Technical specification

DIMENSIONS, MM

d	40,000
D	85,000
B	50,000
L	120,000
H	106,000
A	54,000
J	85,000
A1	33,000
H1	20,000
S	26,000
d3	65,000
h	53,900
Q	M6x1

WEIGHT, KG 2,300

Bearing	UK209 +
Housing	PG209
Adapter sleeve	H2309

MANUFACTURER

[SNR](#)

INTERCHANGE

ABC [UKPG209H](#)

CALCULATION DATA

Basic dynamic load rating, C	31,850 kN
Basic static load rating, Co	20,800 kN
Operating temperature min	-20 °C
Operating temperature max	110 °C