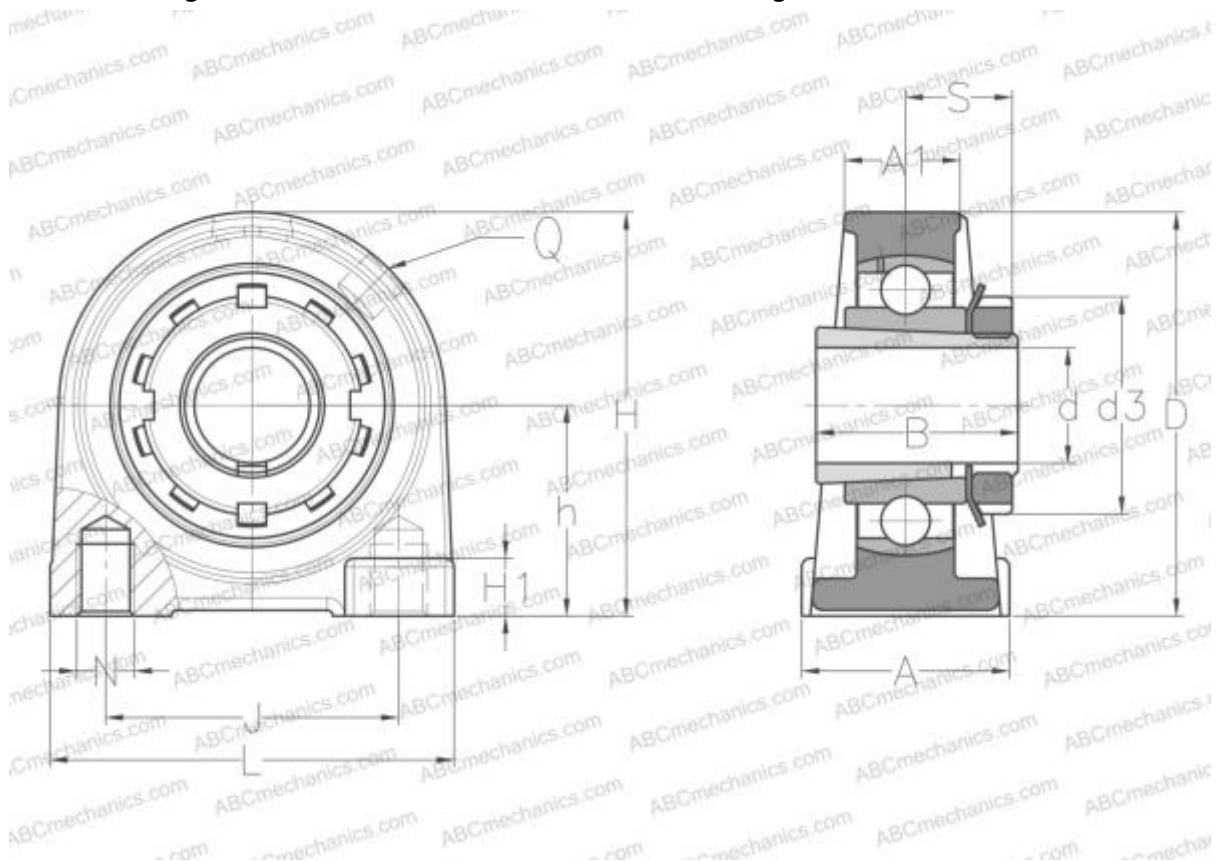


UKPA207H ABC

Ball bearing units

TYPE: Housing units, Plummer block, Narrow cast iron housing, Radial insert ball bearing with adapter sleeve, With inner ring extended on both sides, massive bearing units



Technical specification

DIMENSIONS, MM

d	30,000
D	72,000
B	43,000
L	110,000
H	95,000
A	48,000
J	80,000
A1	27,000
H1	13,000
S	22,500
d3	52,000
h	47,600
Q	M6x1

Bearing	UK207 +
Housing	PA207
Adapter sleeve	H2307

MANUFACTURER

[ABC](#)

INTERCHANGE

SNR	UKPA207H
-----	--------------------------

WEIGHT, KG 1,500