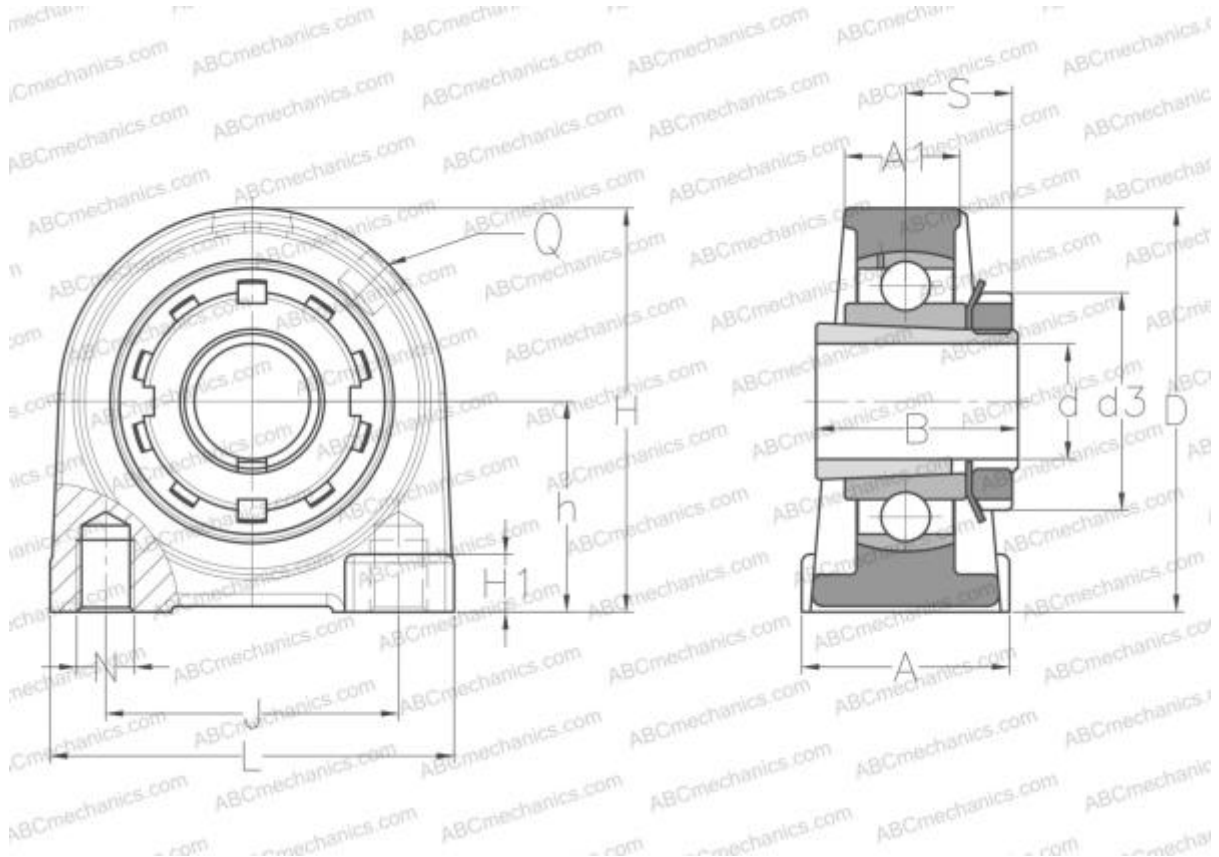


UKPA208H ABC

Ball bearing units

TYPE: Housing units, Plummer block, Narrow cast iron housing, Radial insert ball bearing with adapter sleeve, With inner ring extended on both sides, massive bearing units



Technical specification

DIMENSIONS, MM

d	35,000
D	80,000
B	46,000
L	116,000
H	100,000
A	54,000
J	84,000
A1	28,000
H1	13,000
S	24,500
d3	58,000
h	49,200
Q	M6x1

WEIGHT, KG 1,800

Bearing	UK208 +
Housing	PA208
Adapter sleeve	H2308

MANUFACTURER

[ABC](#)

INTERCHANGE

SNR [UKPA208H](#)