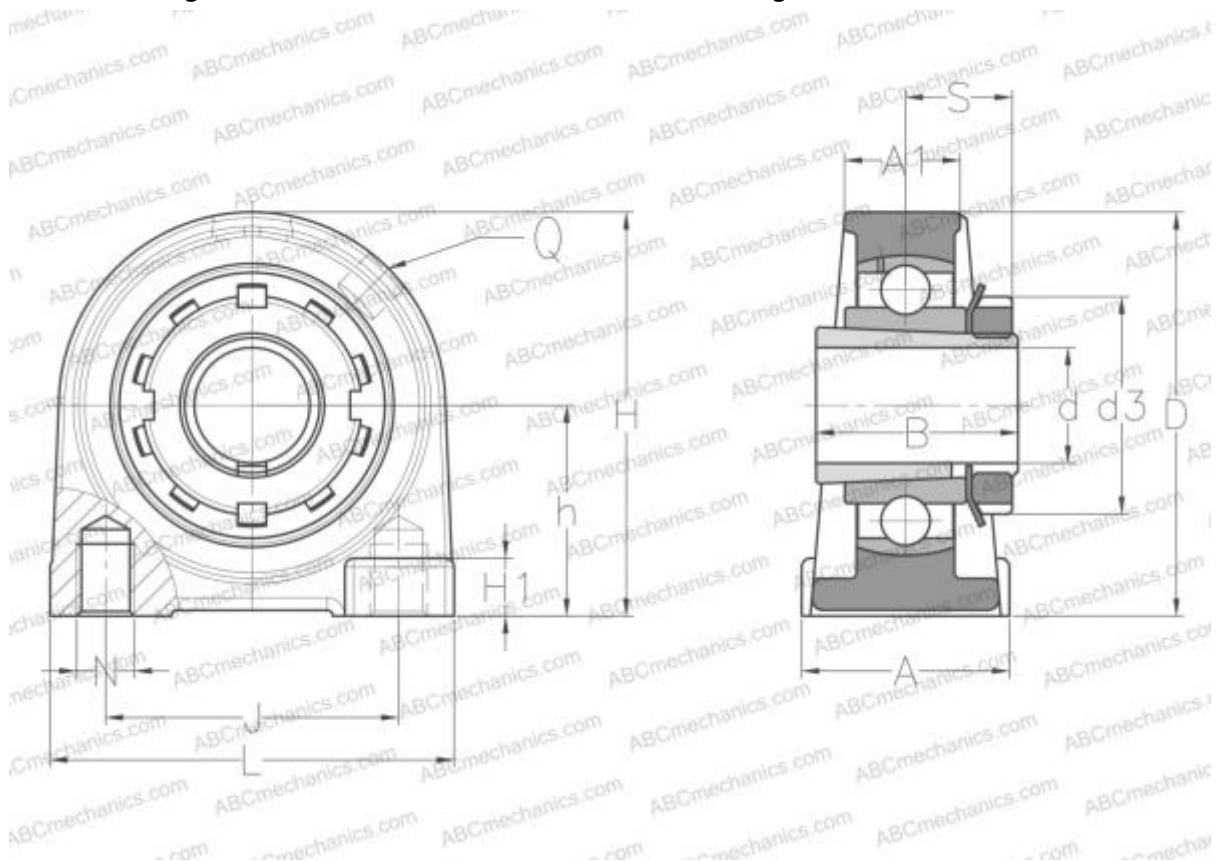


## UKPA209H SNR

Ball bearing units

TYPE: Housing units, Plummer block, Narrow cast iron housing, Radial insert ball bearing with adapter sleeve, With inner ring extended on both sides, massive bearing units



### Technical specification

#### DIMENSIONS, MM

|    |         |
|----|---------|
| d  | 40,000  |
| D  | 85,000  |
| B  | 50,000  |
| L  | 120,000 |
| H  | 108,000 |
| A  | 60,000  |
| J  | 90,000  |
| A1 | 32,000  |
| H1 | 13,000  |
| S  | 26,000  |
| d3 | 65,000  |
| h  | 54,200  |
| Q  | M6x1    |

**WEIGHT, KG** 2,200

|                |         |
|----------------|---------|
| Bearing        | UK209 + |
| Housing        | PA209   |
| Adapter sleeve | H2309   |

#### MANUFACTURER

[SNR](#)

#### INTERCHANGE

ABC [UKPA209H](#)

#### CALCULATION DATA

|                              |           |
|------------------------------|-----------|
| Basic dynamic load rating, C | 31,850 kN |
| Basic static load rating, Co | 20,800 kN |
| Operating temperature min    | -20 °C    |
| Operating temperature max    | 110 °C    |