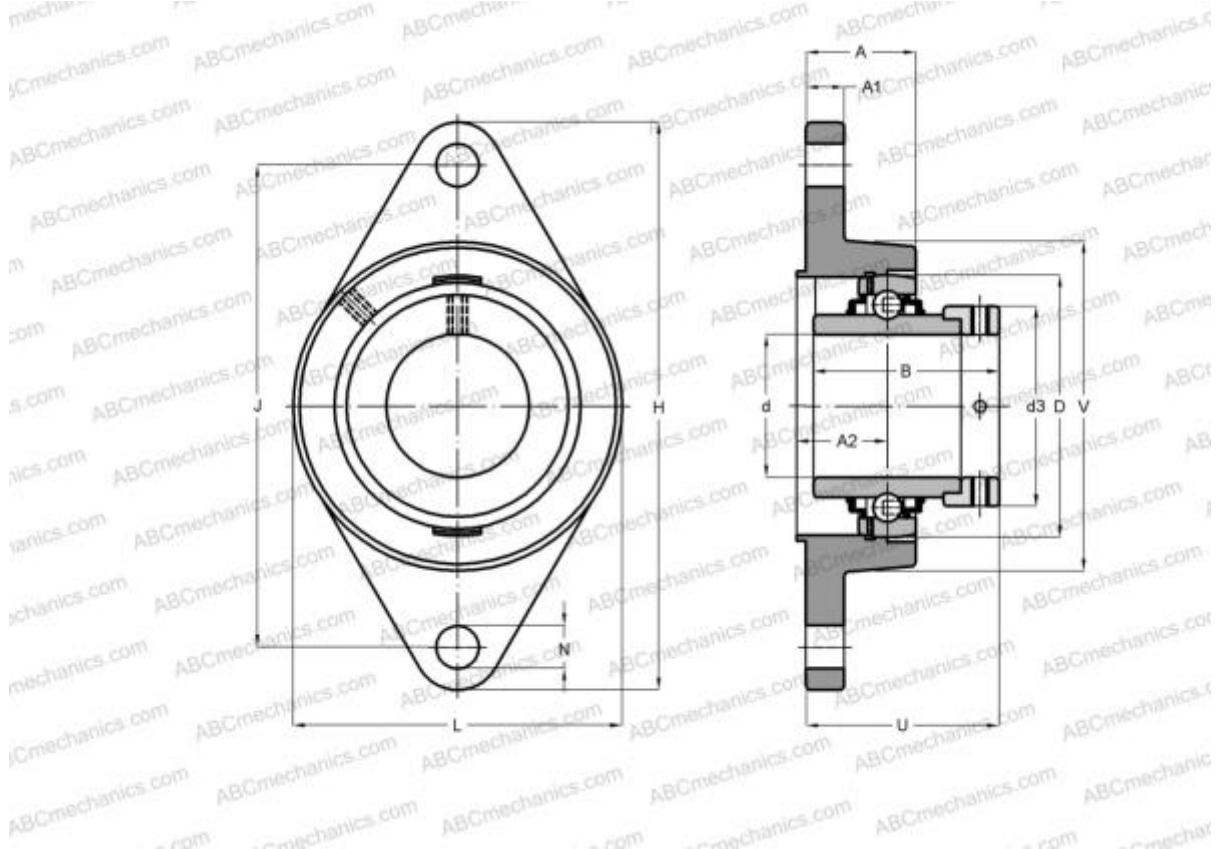


RCJTZ20 INA

Ball bearing units

TYPE: Housing units, Two-bolt flanged housing units, Cast iron housing, Radial insert ball bearing with eccentric locking collar, With inner ring extended on both sides, with centring rim



Technical specification

DIMENSIONS, MM

d	20,000
D	47,000
B	43,700
L	60,500
H	112,500
A	31,700
J	90,000
A1	10,000
A2	19,000
N	11,500
d3	33,000
U	45,600
V	60,500
Q	Rp1/8

WEIGHT, KG

Bearing	0,530
Housing	GE20-KRR-B GG.CJTZ04

MANUFACTURER

[INA](#)

INTERCHANGE

ABC	EXFLZ204
SNR	EXFLZ204

CALCULATION DATA

Basic dynamic load rating, C	12,800 kN
Basic static load rating, Co	6,500 kN