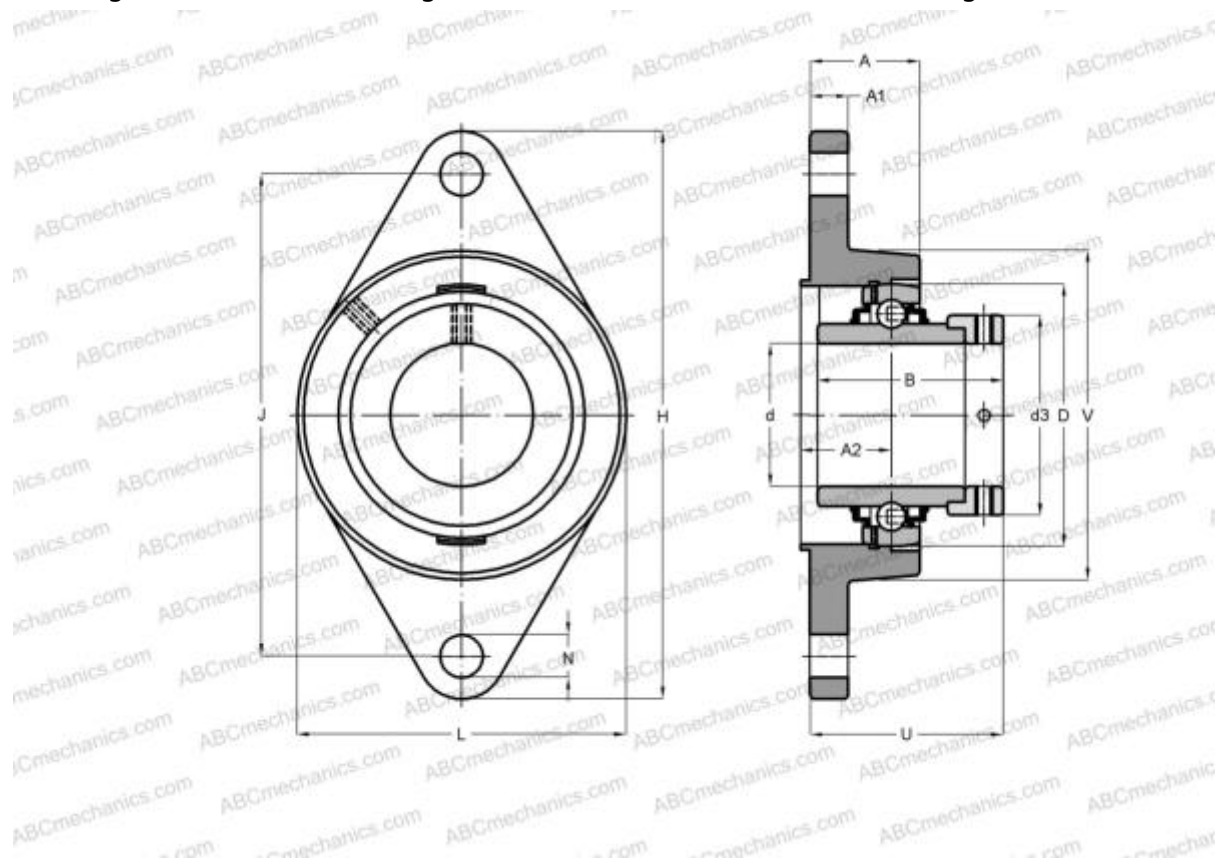


## RCJTZ25 INA

Ball bearing units

TYPE: Housing units, Two-bolt flanged housing units, Cast iron housing, Radial insert ball bearing with eccentric locking collar, With inner ring extended on both sides, with centring rim



### Technical specification

#### DIMENSIONS, MM

d	25,000
D	52,000
B	44,500
L	70,000
H	124,000
A	26,500
J	99,000
A1	12,000
A2	19,000
N	11,500
d3	37,500
U	45,900
V	70,000
Q	Rp1/8

#### WEIGHT, KG

0,640

Bearing

GE25-KRR-B

Housing

GG.CJTZ05

#### MANUFACTURER

[INA](#)

#### INTERCHANGE

ABC

[EXFLZ205](#)

SNR

[EXFLZ205](#)

#### CALCULATION DATA

Basic dynamic load rating, C

14,000 kN

Basic static load rating, Co

7,800 kN