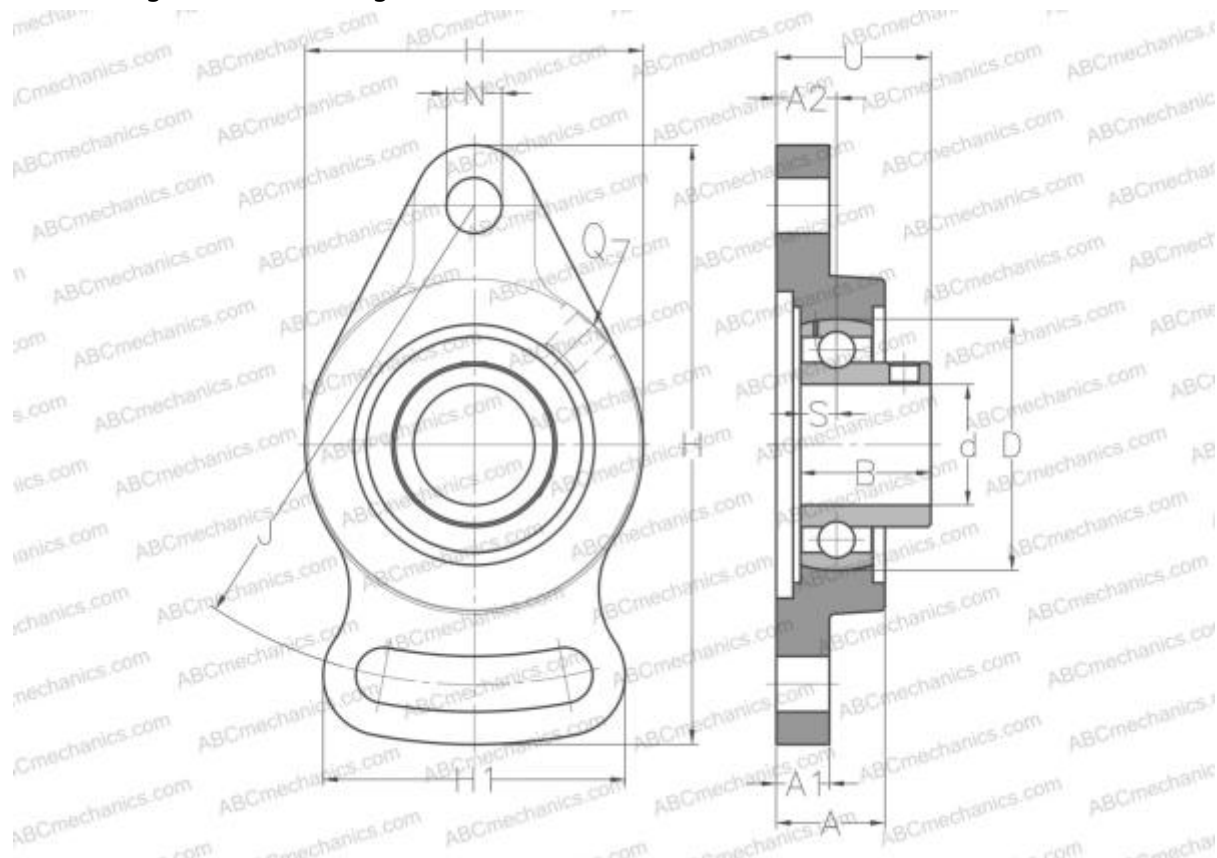


USFAE204 SNR

Ball bearing units

TYPE: Housing units, Take-up housing units, Cast iron housing, Radial insert ball bearing with grub screws in inner ring, With inner ring extended at one side



Technical specification

DIMENSIONS, MM

d	20,000
D	47,000
B	25,000
L	112,000
H	61,000
A	20,000
J	90,000
A1	10,000
A2	10,500
H1	52,000
N	11,500
S	7,000
U	28,500
Z	50,800
Q	R1/8"

WEIGHT, KG

	0,400
Bearing	US204
Housing	FAE204

MANUFACTURER

[SNR](#)

INTERCHANGE

ABC	USFAE204
-----	--------------------------

CALCULATION DATA

Basic dynamic load rating, C	12,800 kN
Basic static load rating, Co	6,650 kN
Operating temperature min	-20 °C
Operating temperature max	110 °C