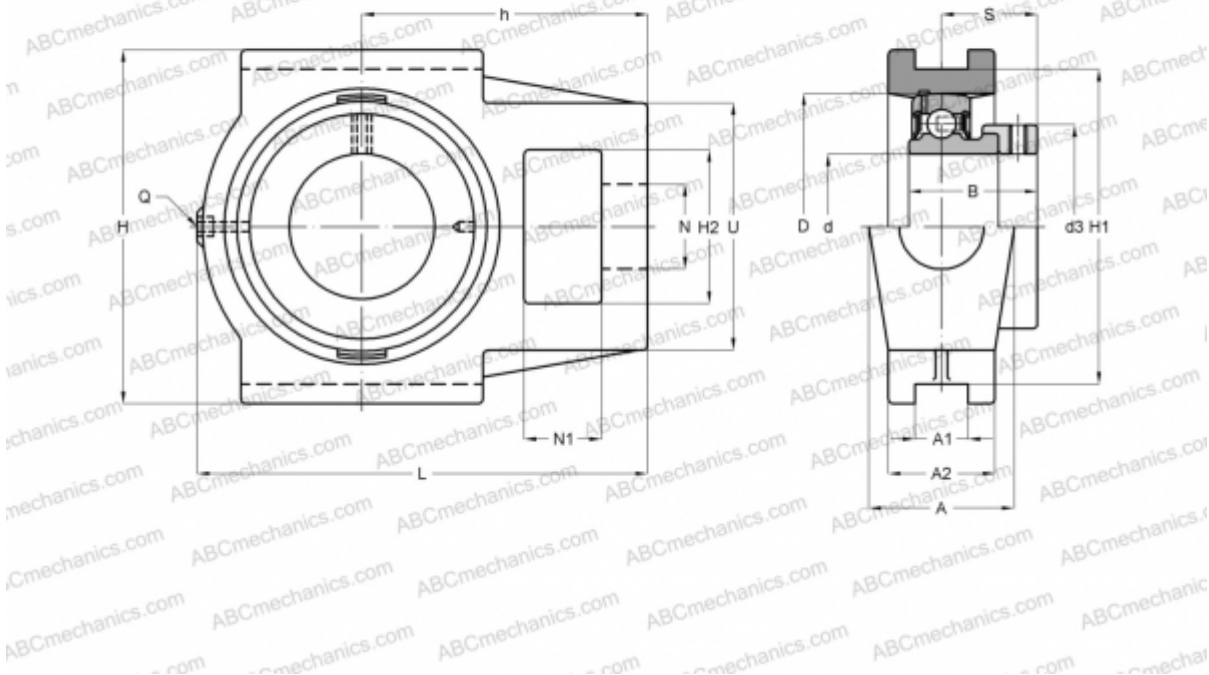


## EST204 SNR

Ball bearing units

TYPE: Housing units, Take-up housing units, Cast iron housing, Radial insert ball bearing with eccentric locking collar, With inner ring extended at one side, for tensioning frame



### Technical specification

#### DIMENSIONS, MM

d	20,000
D	47,000
B	30,900
L	94,000
H	89,000
A	32,000
H2	32,000
A1	12,000
A2	21,000
H1	76,000
N	19,000
N1	16,000
S	23,400
d3	33,300
U	51,000

#### DIMENSIONS, MM

h	61,000
Q	M6x1

#### WEIGHT, KG

Bearing	ES204
Housing	T204

#### MANUFACTURER

[SNR](#)

#### INTERCHANGE

ABC	<a href="#">EST204</a>
INA	<a href="#">PTUE20</a>

#### CALCULATION DATA

Basic dynamic load rating, C	12,800 kN
Basic static load rating, Co	6,650 kN



## CALCULATION DATA

Operating temperature min	-20 °C
Operating temperature max	110 °C