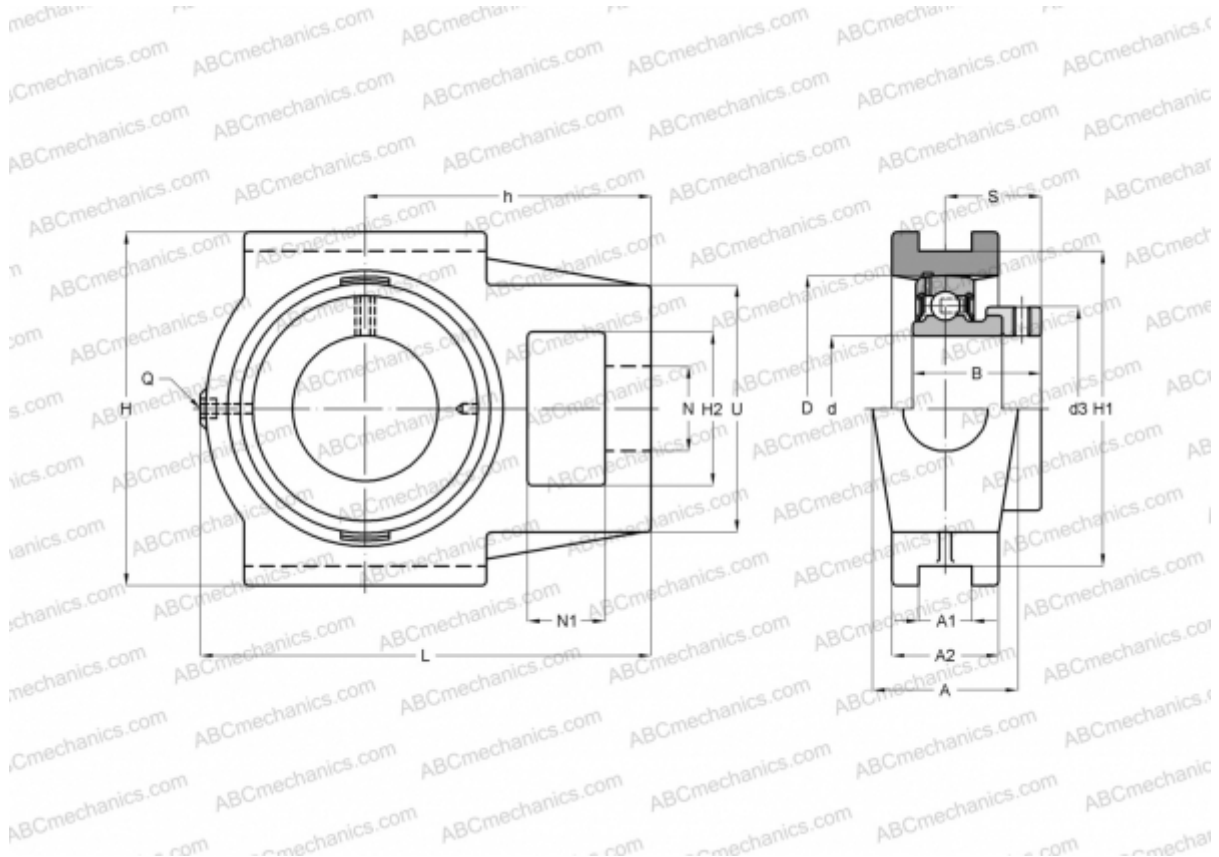


## PTUE25 INA

Ball bearing units

TYPE: Housing units, Take-up housing units, Cast iron housing, Radial insert ball bearing with eccentric locking collar, With inner ring extended at one side, for tensioning frame



### Technical specification

#### DIMENSIONS, MM

d	25,000
D	52,000
B	31,000
L	98,500
H	90,000
A	37,000
H2	32,000
A1	12,000
A2	25,000
H1	76,000
N	19,000
N1	18,000
S	23,500
d3	37,500
U	51,000

#### DIMENSIONS, MM

h	62,000
Q	Rp1/8

#### WEIGHT, KG

Bearing	GRAE25-NPP-B
Housing	GG.TUE05

#### MANUFACTURER

[INA](#)

#### INTERCHANGE

ABC	<a href="#">EST205</a>
SNR	<a href="#">EST205</a>

#### CALCULATION DATA

Basic dynamic load rating, C	14,000 kN
Basic static load rating, Co	7,800 kN