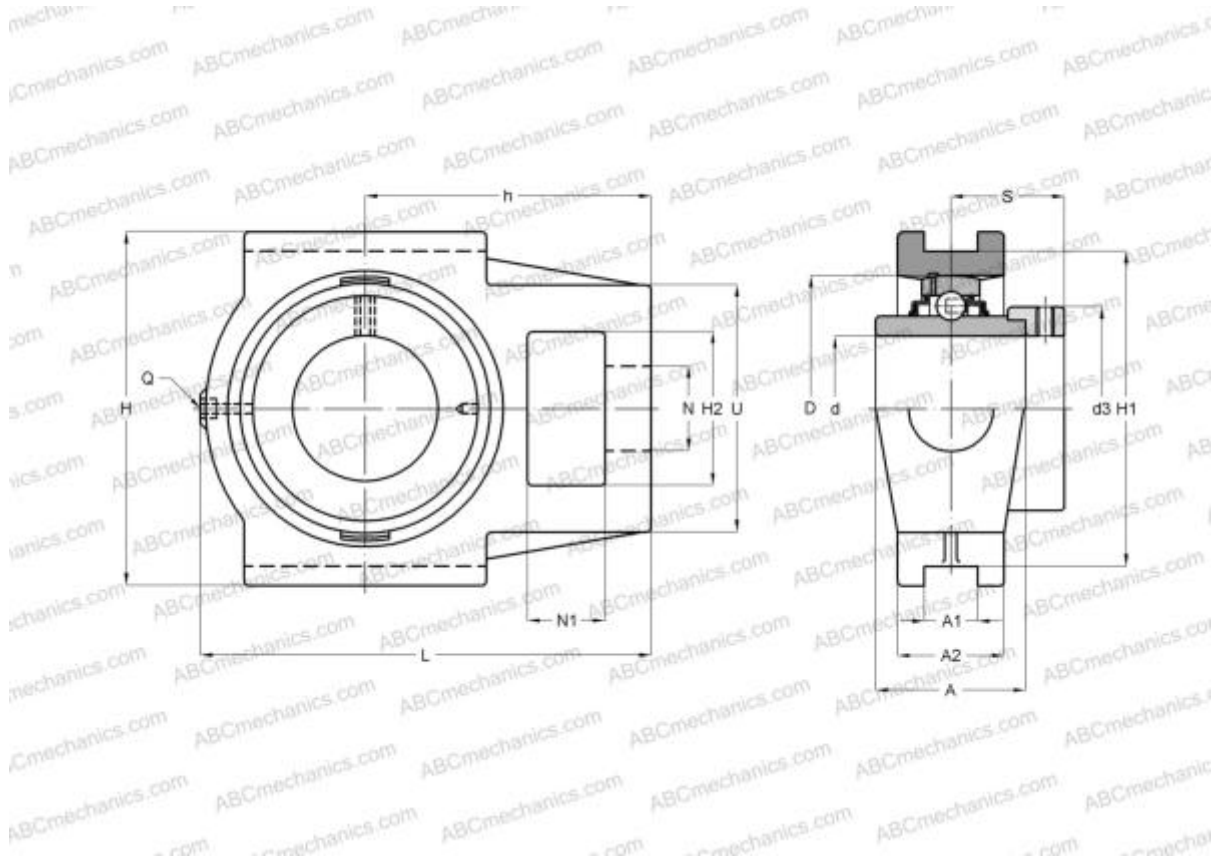


RTUE20 INA

Ball bearing units

TYPE: Housing units, Take-up housing units, Cast iron housing, Radial insert ball bearing with eccentric locking collar, With inner ring extended on both sides, for tensioning frame



Technical specification

DIMENSIONS, MM

| | |
|----|--------|
| d | 20,000 |
| D | 47,000 |
| B | 43,700 |
| L | 94,500 |
| H | 90,000 |
| A | 37,000 |
| H2 | 32,000 |
| A1 | 12,000 |
| A2 | 25,000 |
| H1 | 76,000 |
| N | 19,000 |
| N1 | 18,000 |
| S | 26,600 |
| d3 | 33,000 |
| U | 51,000 |

DIMENSIONS, MM

| | |
|---|--------|
| h | 60,000 |
| Q | Rp1/8 |

WEIGHT, KG

| | |
|---------|------------|
| Bearing | 0,900 |
| Housing | GE20-KRR-B |
| | GG.TUE04 |

MANUFACTURER

[INA](#)

INTERCHANGE

| | |
|-----|------------------------|
| ABC | EXT204 |
| SNR | EXT204 |

CALCULATION DATA

| | |
|------------------------------|-----------|
| Basic dynamic load rating, C | 12,800 kN |
| Basic static load rating, Co | 6,600 kN |