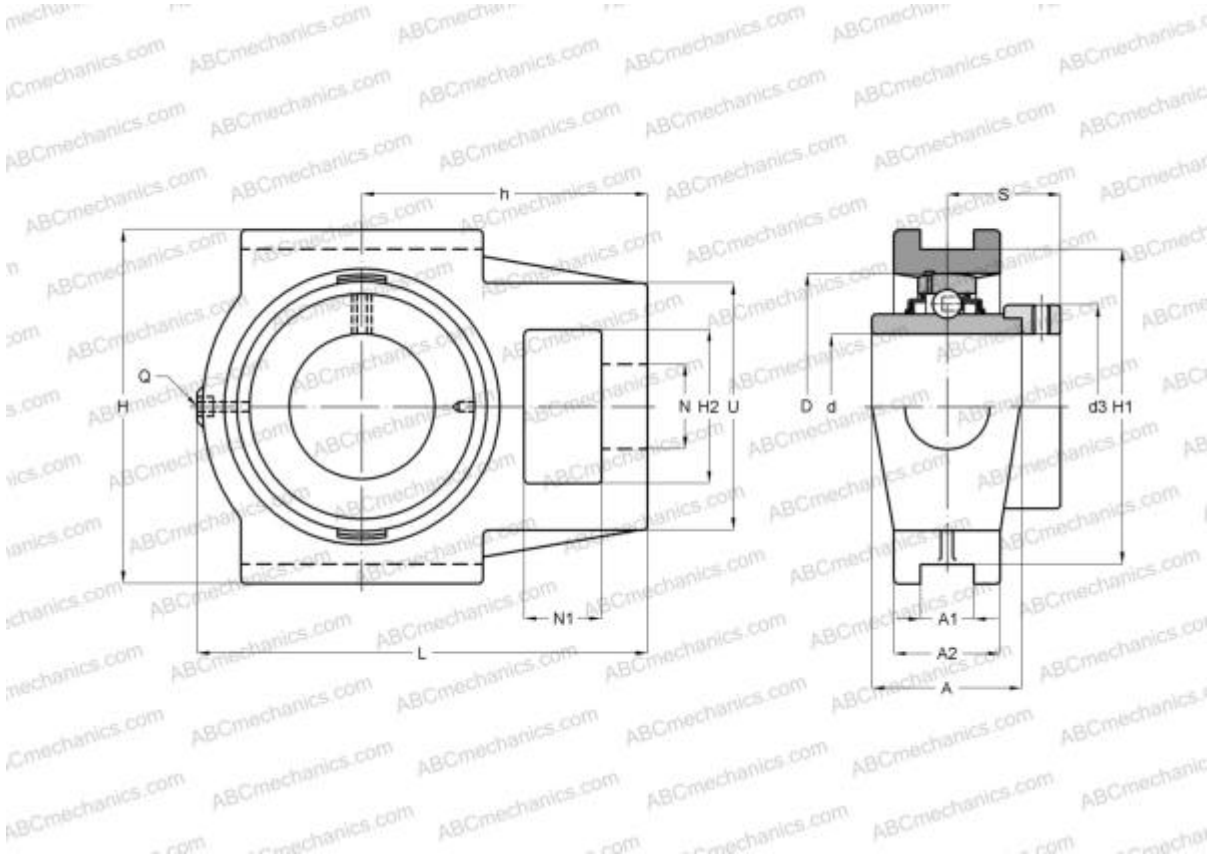


## EXT205 SNR

Ball bearing units

TYPE: Housing units, Take-up housing units, Cast iron housing, Radial insert ball bearing with eccentric locking collar, With inner ring extended on both sides, for tensioning frame



### Technical specification

#### DIMENSIONS, MM

|    |        |
|----|--------|
| d  | 25,000 |
| D  | 52,000 |
| B  | 44,300 |
| L  | 97,000 |
| H  | 89,000 |
| A  | 32,000 |
| H2 | 32,000 |
| A1 | 12,000 |
| A2 | 24,000 |
| H1 | 76,000 |
| N  | 19,000 |
| N1 | 16,000 |
| S  | 26,900 |
| d3 | 38,100 |
| U  | 51,000 |

#### DIMENSIONS, MM

|   |        |
|---|--------|
| h | 62,000 |
| Q | M6x1   |

#### WEIGHT, KG

|         |       |
|---------|-------|
| Bearing | EX205 |
| Housing | T205  |

#### MANUFACTURER

[SNR](#)

#### INTERCHANGE

|     |                        |
|-----|------------------------|
| ABC | <a href="#">EXT205</a> |
| INA | <a href="#">RTUE25</a> |

#### CALCULATION DATA

|                              |           |
|------------------------------|-----------|
| Basic dynamic load rating, C | 14,000 kN |
| Basic static load rating, Co | 7,880 kN  |



## CALCULATION DATA

|                           |        |
|---------------------------|--------|
| Operating temperature min | -20 °C |
| Operating temperature max | 110 °C |

