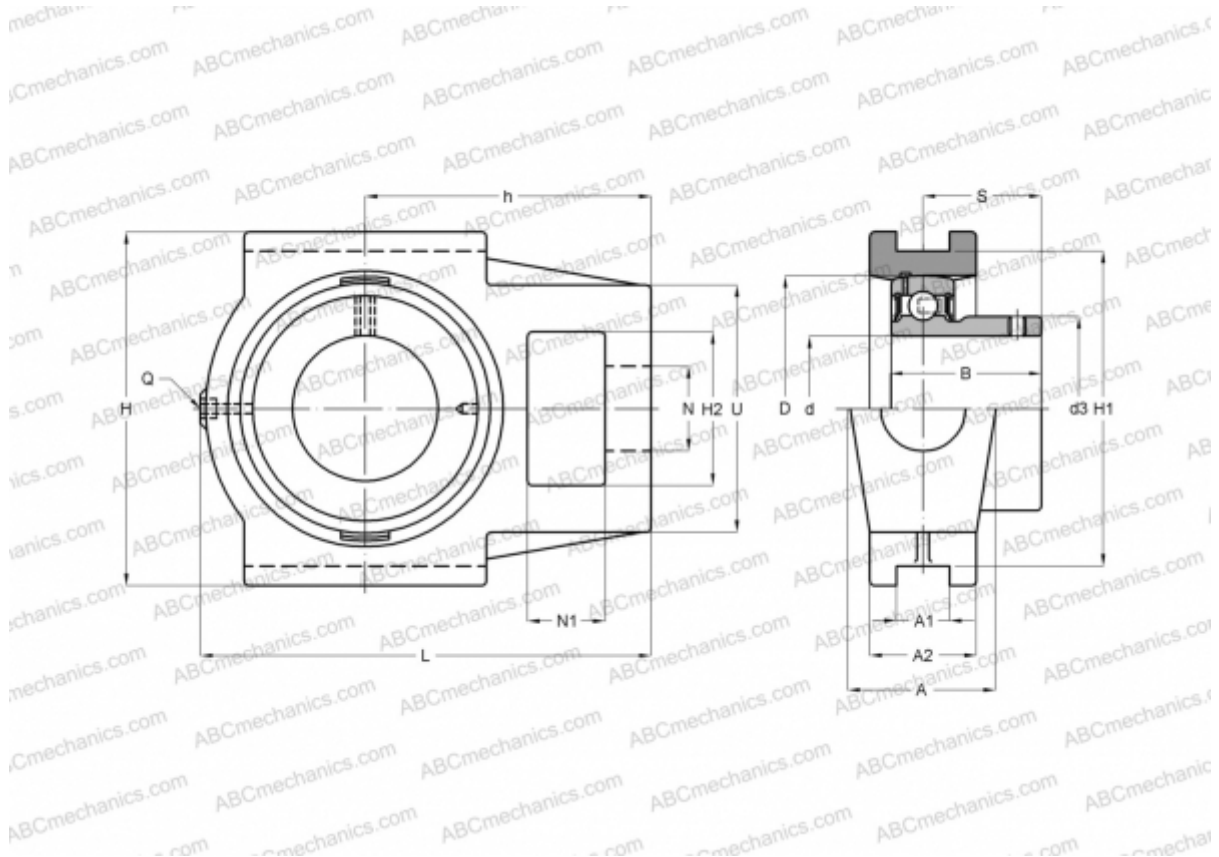


## UST202 SNR

Ball bearing units

TYPE: Housing units, Take-up housing units, Cast iron housing, Radial insert ball bearing with grub screws in inner ring, With inner ring extended at one side, for tensioning frame



### Technical specification

#### DIMENSIONS, MM

d	15,000
D	40,000
B	22,000
L	94,000
H	89,000
A	32,000
H2	32,000
A1	12,000
A2	21,000
H1	76,000
N	19,000
N1	16,000
S	16,000
U	51,000
h	61,000

#### DIMENSIONS, MM

Q	M6x1
---	------

#### WEIGHT, KG

Bearing	US202
Housing	T204

#### MANUFACTURER

[SNR](#)

#### INTERCHANGE

ABC	<a href="#">UST202</a>
-----	------------------------

#### CALCULATION DATA

Basic dynamic load rating, C	9,550 kN
Basic static load rating, Co	4,780 kN
Operating temperature min	-20 °C
Operating temperature max	110 °C