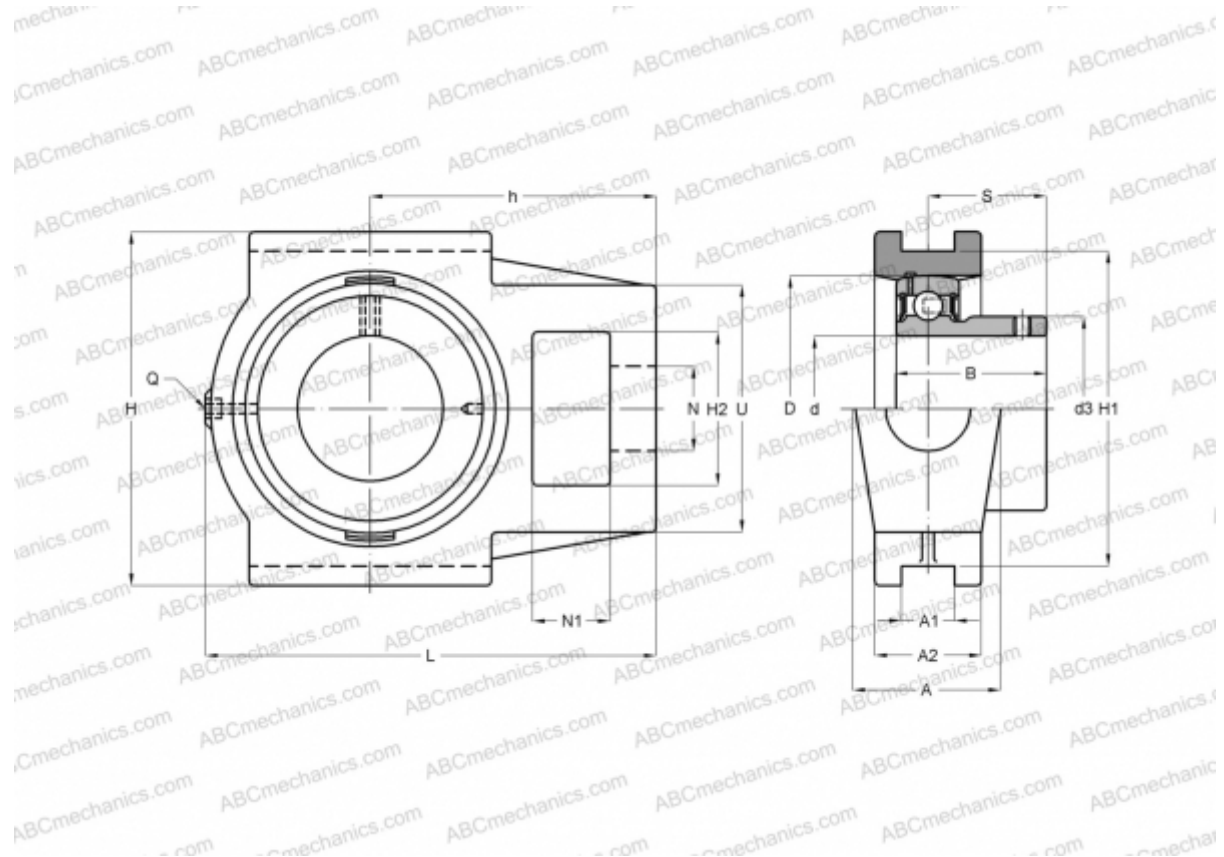


## T 204 + B 4 ASAHI

Ball bearing units

TYPE: Housing units, Take-up housing units, Cast iron housing, Radial insert ball bearing with grub screws in inner ring, With inner ring extended at one side, for tensioning frame



### Technical specification

#### DIMENSIONS, MM

d	20,000
D	47,000
B	24,700
L	94,000
H	89,000
A	21,000
H2	32,000
A1	12,000
H1	76,000
N	19,000
N1	16,000
S	7,000
U	51,000
I	51,000
h	61,000

#### WEIGHT, KG

Bearing	0,700
Housing	B 4
	T 204

#### MANUFACTURER

[ASAHI](#)

#### INTERCHANGE

ABC	<a href="#">UST204</a>
INA	<a href="#">PTUEY20</a>
SNR	<a href="#">UST204</a>