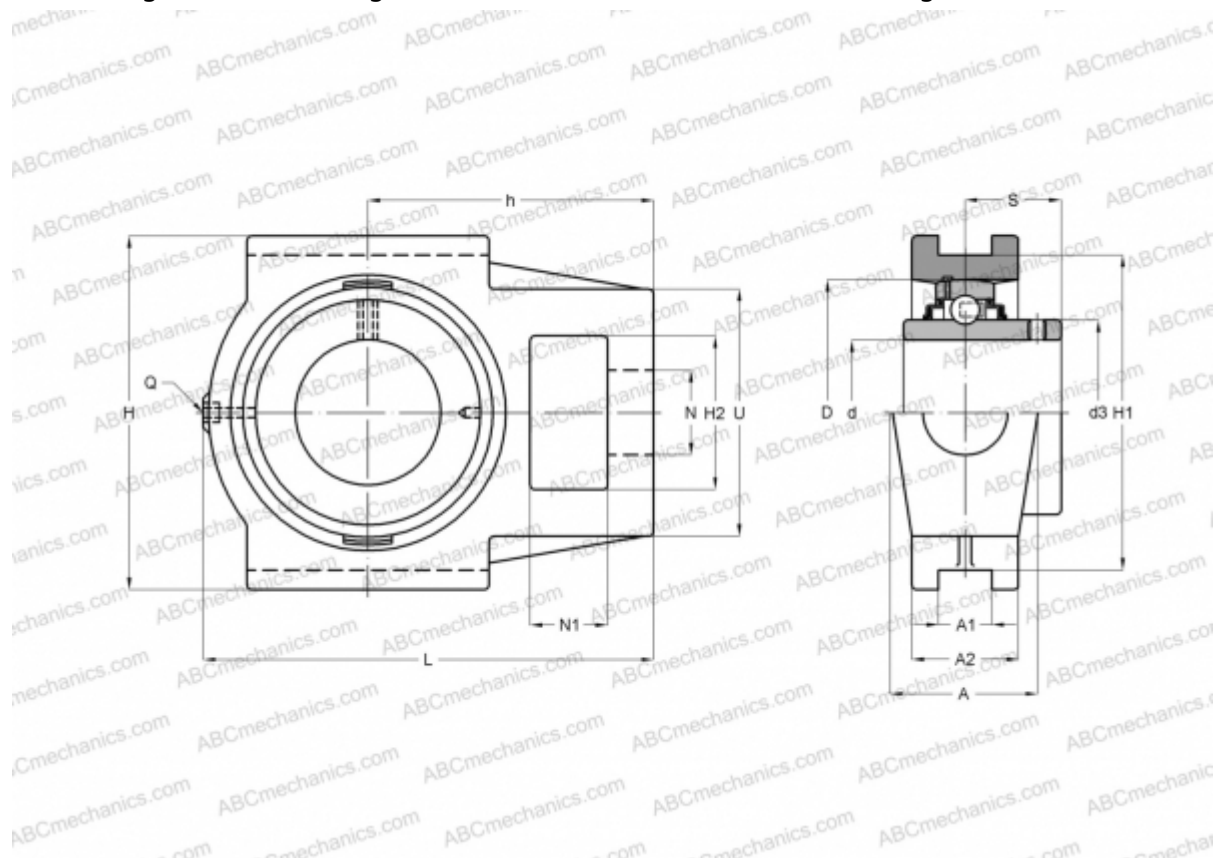


UCT201 ABC

Ball bearing units

TYPE: Housing units, Take-up housing units, Cast iron housing, Radial insert ball bearing with grub screws in inner ring, With inner ring extended on both sides, for tensioning frame



Technical specification

DIMENSIONS, MM

d	12,000
D	47,000
B	31,000
L	94,000
H	89,000
A	32,000
H2	32,000
A1	12,000
A2	21,000
H1	76,000
N	19,000
N1	16,000
S	18,300
U	51,000
h	61,000

DIMENSIONS, MM

Q	M6x1
---	------

WEIGHT, KG

Bearing	UC201
Housing	T204

MANUFACTURER

[ABC](#)

INTERCHANGE

ASAHI	UCT 201
SNR	UCT201
SLB	UCT201
FYH	UCT201
NTN	UCT 201 D1