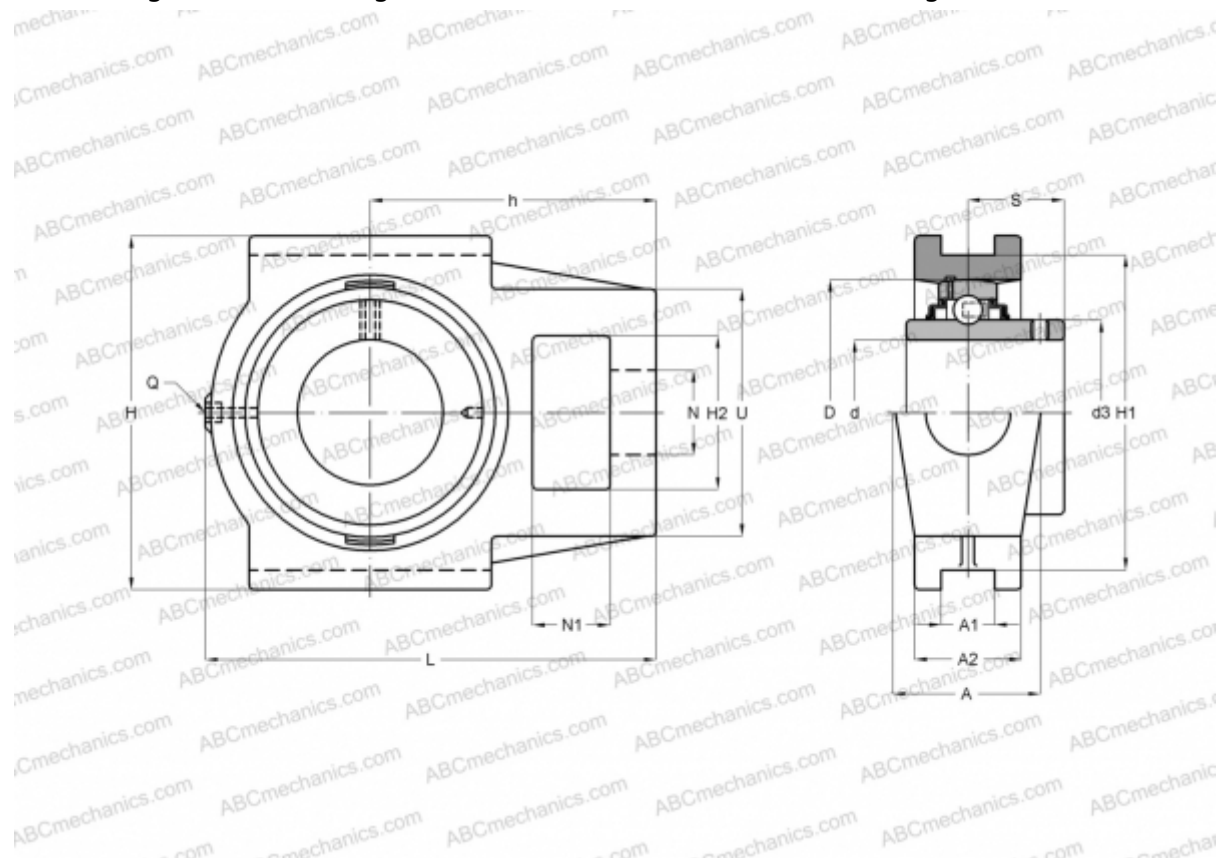


UCT306 ABC

Ball bearing units

TYPE: Housing units, Take-up housing units, Cast iron housing, Radial insert ball bearing with grub screws in inner ring, With inner ring extended on both sides, for tensioning frame



Technical specification

DIMENSIONS, MM

d	30,000
D	72,000
B	43,000
L	137,000
H	100,000
A	41,000
H2	41,000
A1	16,000
A2	28,000
H1	90,000
N	28,000
N1	18,000
S	26,000
U	70,000
h	85,000

DIMENSIONS, MM

Q	M6x1
---	------

WEIGHT

Bearing	UC306
Housing	T306

MANUFACTURER

[ABC](#)

INTERCHANGE

ASAHI	UCT 306
SNR	UCT306