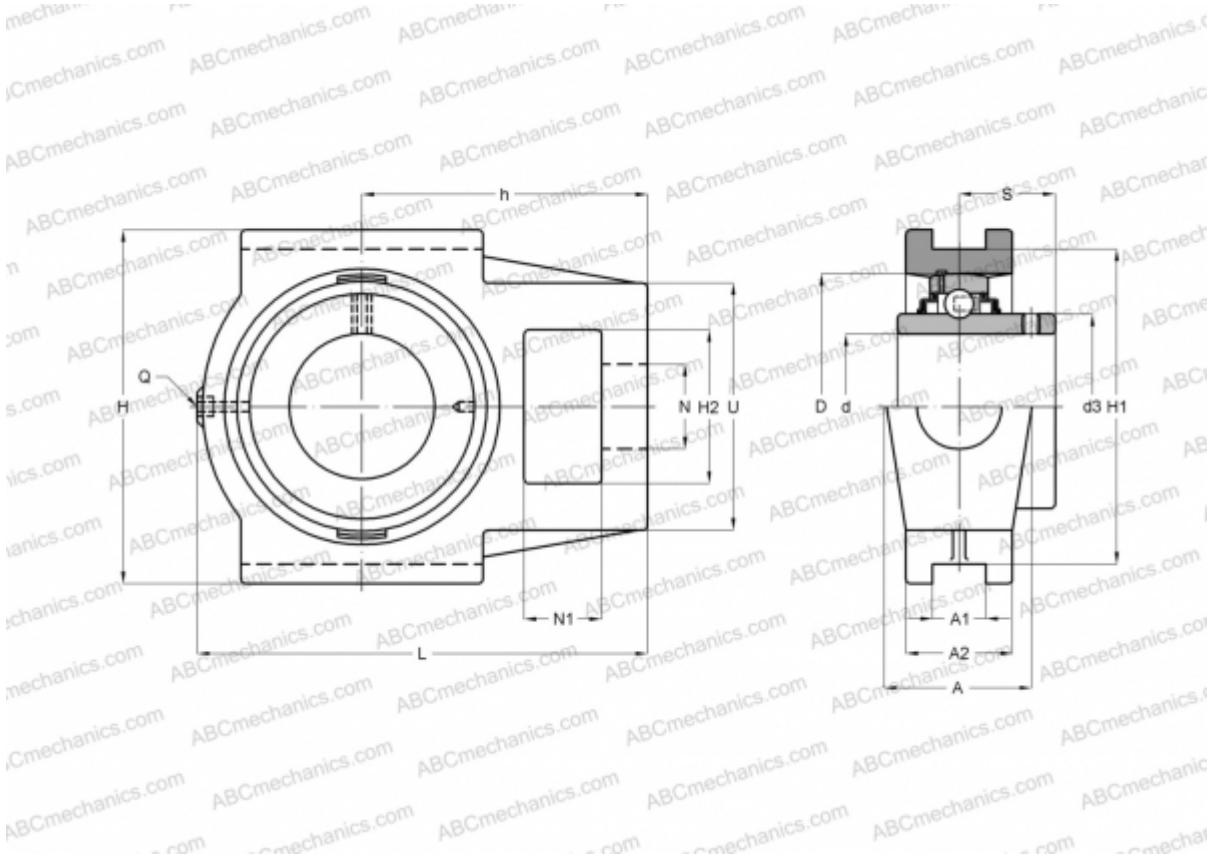


## UCT306 SNR

Ball bearing units

TYPE: Housing units, Take-up housing units, Cast iron housing, Radial insert ball bearing with grub screws in inner ring, With inner ring extended on both sides, for tensioning frame



### Technical specification

#### DIMENSIONS, MM

d	30,000
D	72,000
B	43,000
L	137,000
H	100,000
A	41,000
H2	41,000
A1	16,000
A2	28,000
H1	90,000
N	28,000
N1	18,000
S	26,000
U	70,000
h	85,000

#### DIMENSIONS, MM

Q	M6x1
---	------

#### WEIGHT

Bearing	UC306
Housing	T306

#### MANUFACTURER

[SNR](#)

#### INTERCHANGE

ABC	<a href="#">UCT306</a>
ASAHI	<a href="#">UCT 306</a>

#### CALCULATION DATA

Basic dynamic load rating, C	27,000 kN
Basic static load rating, Co	15,200 kN
Operating temperature min	-20 °C



## CALCULATION DATA

Operating temperature max

110 °C

