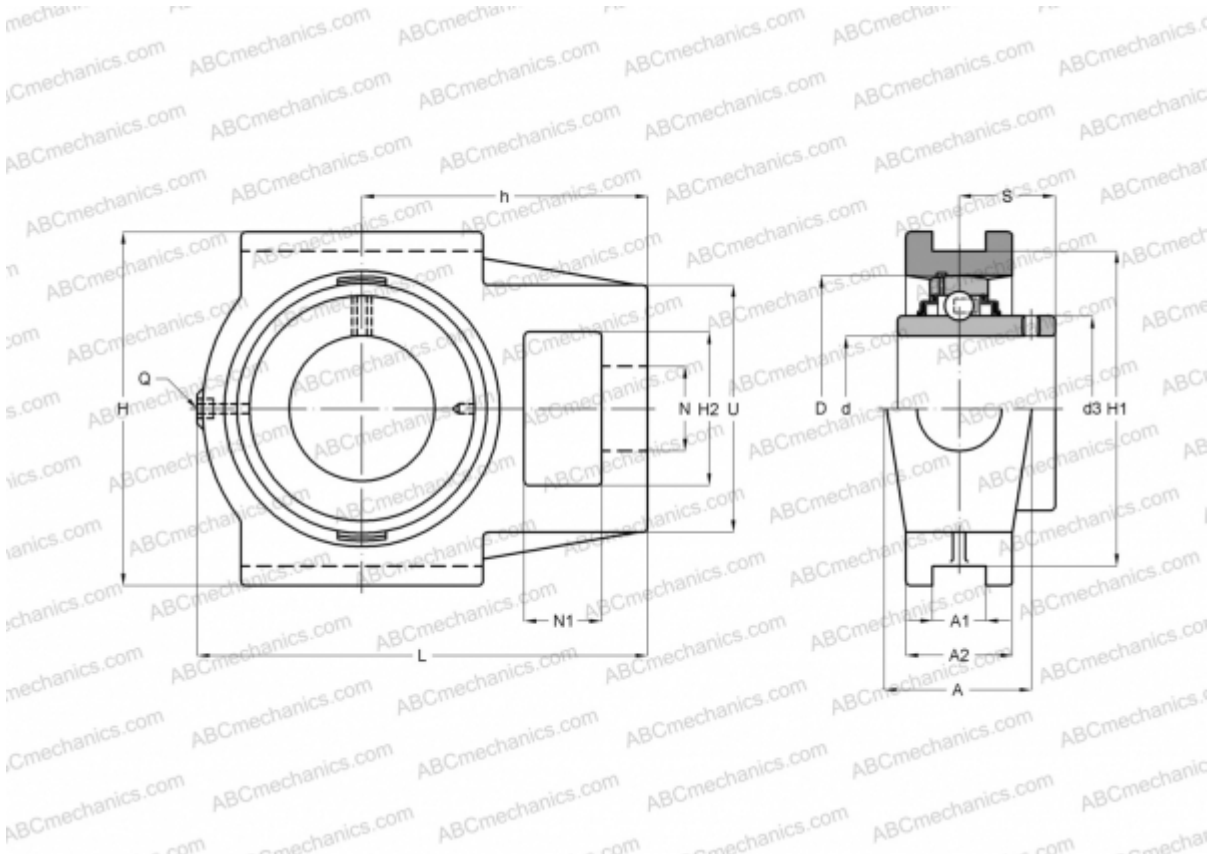


UCT207 ABC

Ball bearing units

TYPE: Housing units, Take-up housing units, Cast iron housing, Radial insert ball bearing with grub screws in inner ring, With inner ring extended on both sides, for tensioning frame



Technical specification

DIMENSIONS, MM

| | |
|----|---------|
| d | 35,000 |
| D | 72,000 |
| B | 42,900 |
| L | 129,000 |
| H | 102,000 |
| A | 37,000 |
| H2 | 37,000 |
| A1 | 12,000 |
| A2 | 30,000 |
| H1 | 89,000 |
| N | 22,000 |
| N1 | 16,000 |
| S | 25,400 |
| U | 64,000 |
| h | 78,000 |

DIMENSIONS, MM

| | |
|---|------|
| Q | M6x1 |
|---|------|

WEIGHT

| | |
|---------|-------|
| Bearing | UC207 |
| Housing | T207 |

MANUFACTURER

[ABC](#)

INTERCHANGE

| | |
|-------|---------------------------|
| INA | RTUEY35 |
| ASAHI | UCT 207 |
| SKF | TUJ 35 TF |
| SNR | UCT207 |
| SLB | UCT 207 |
| FYH | UCT207 |



INTERCHANGE

NTN

[UCT 207 D1](#)

