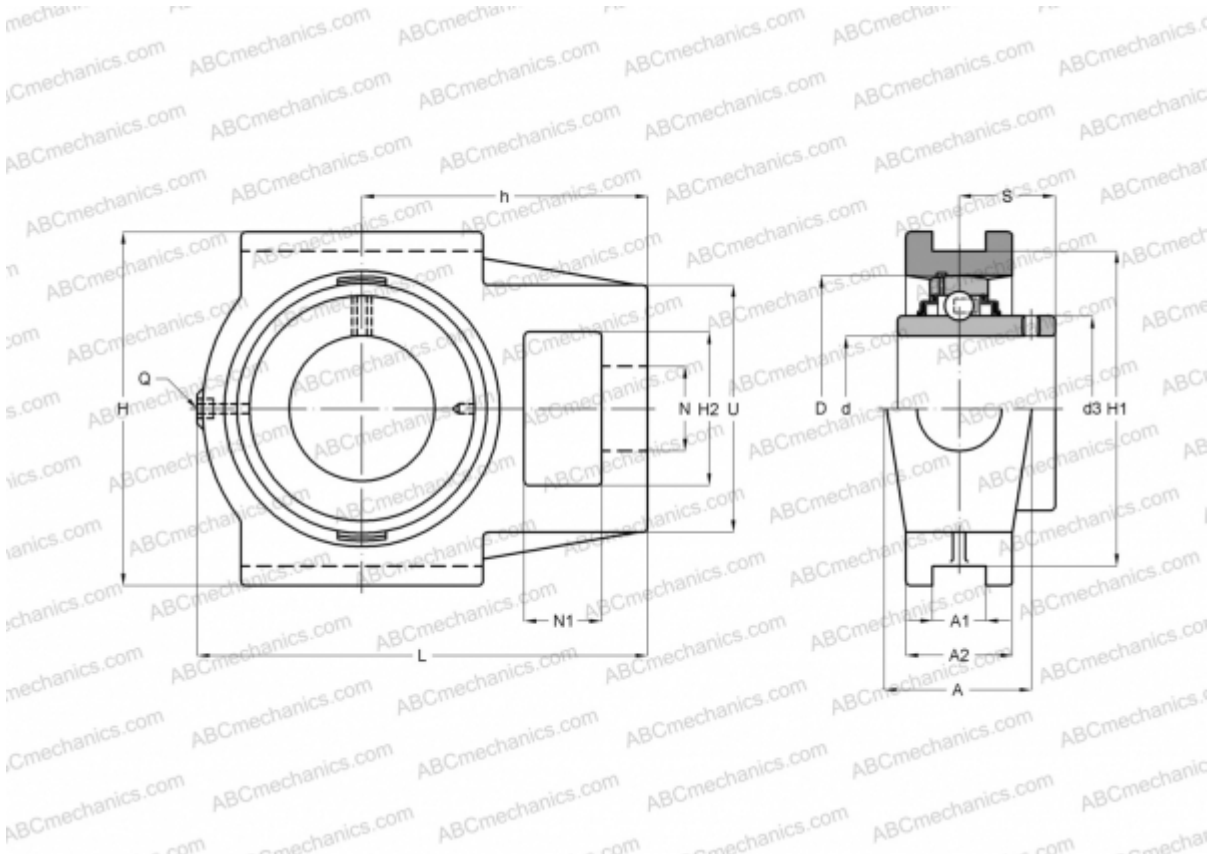


RTUEY35 INA

Ball bearing units

TYPE: Housing units, Take-up housing units, Cast iron housing, Radial insert ball bearing with grub screws in inner ring, With inner ring extended on both sides, for tensioning frame



Technical specification

DIMENSIONS, MM

d	35,000
D	72,000
B	42,900
L	131,500
H	102,000
A	40,000
H2	36,500
A1	12,000
A2	30,000
H1	89,000
N	22,000
N1	18,000
S	25,400
U	64,000
h	80,000

DIMENSIONS, MM

Q	Rp1/8
---	-------

WEIGHT

Bearing	1,740
Housing	GYE35-KRR-B
	GG.TUE07

MANUFACTURER

[INA](#)

INTERCHANGE

ABC	UCT207
ASAHI	UCT 207
SKF	TUJ 35 TF
SNR	UCT207
SLB	UCT 207
FYH	UCT207

INTERCHANGE

NTN [UCT 207 D1](#)

CALCULATION DATA

Basic dynamic load rating, C	25,500 kN
Basic static load rating, Co	15,300 kN