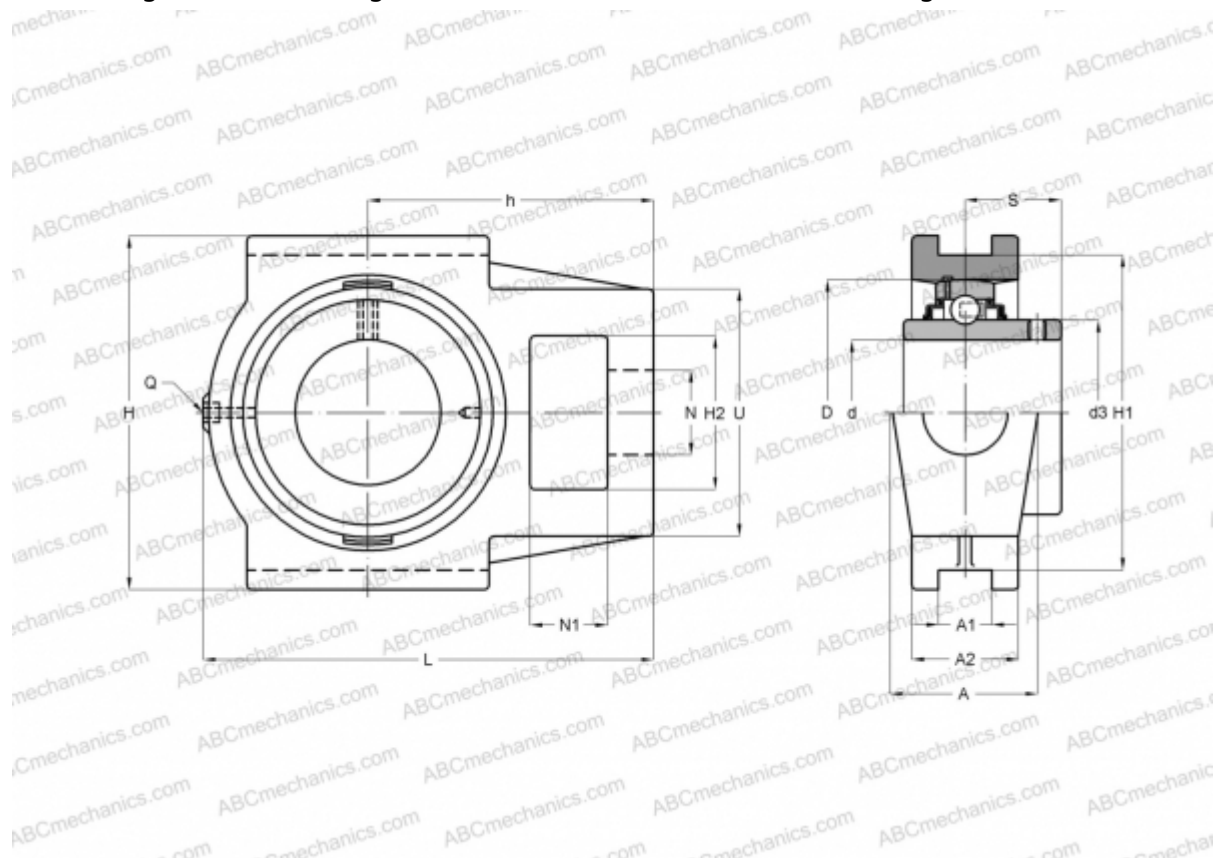


UCT 207 ASAHI

Ball bearing units

TYPE: Housing units, Take-up housing units, Cast iron housing, Radial insert ball bearing with grub screws in inner ring, With inner ring extended on both sides, for tensioning frame



Technical specification

DIMENSIONS, MM

d	35,000
D	72,000
B	42,900
L	129,000
H	102,000
A	37,000
H2	37,000
A1	12,000
A2	30,000
H1	89,000
N	22,000
N1	16,000
S	25,400
U	64,000
h	78,000

WEIGHT

	1,600
Bearing	UC 207
Housing	T 207

MANUFACTURER

[ASAHI](#)

INTERCHANGE

ABC	UCT207
INA	RTUEY35
SKF	TUJ 35 TF
SNR	UCT207
SLB	UCT 207
FYH	UCT207
NTN	UCT 207 D1