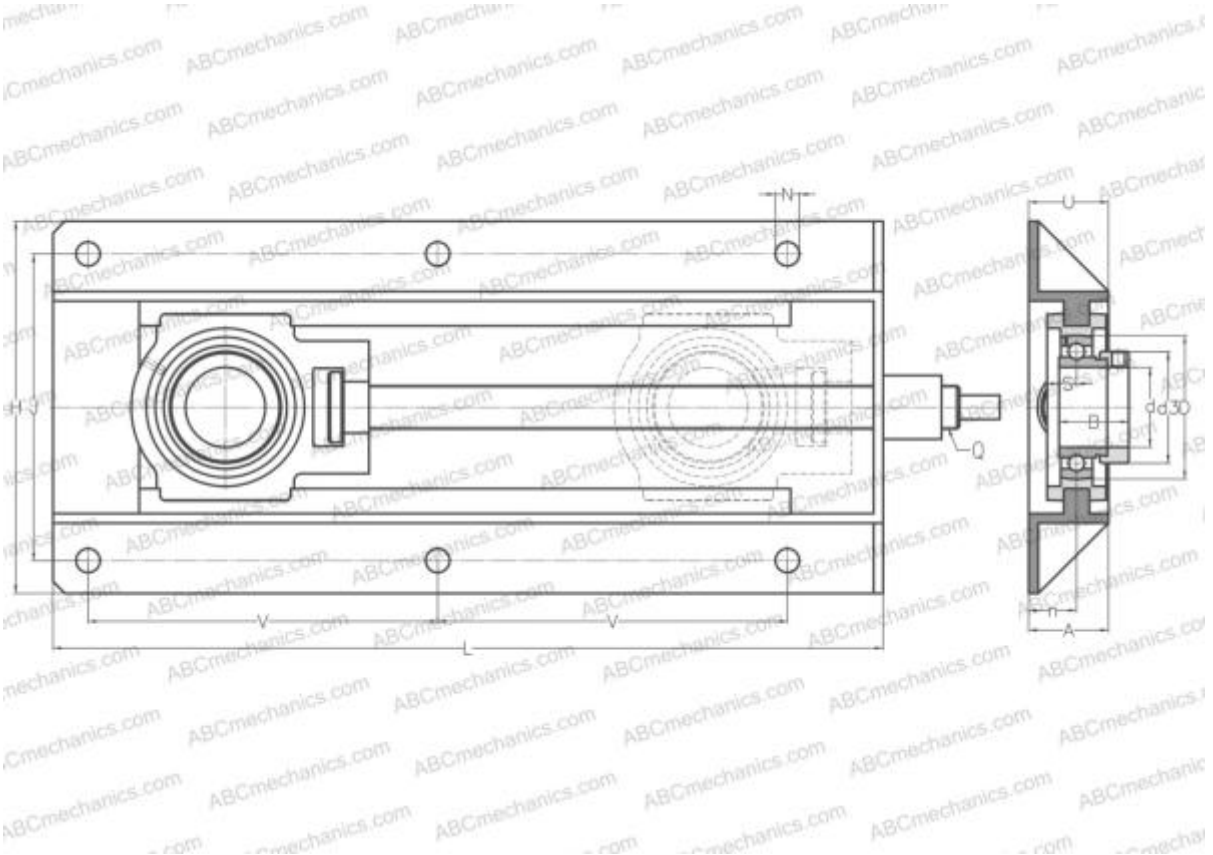


## EST202+WB ABC

Ball bearing units

TYPE: Housing units, Take-up housing units, Cast iron and sheet steel housing, Radial insert ball bearing with eccentric locking collar, With inner ring extended at one side



### Technical specification

#### DIMENSIONS, MM

d	15,000
D	40,000
B	28,600
L	317,000
H	199,000
A	50,000
J	154,000
N	12,000
S	6,500
d3	28,600
U	51,100
V	117,000
I	83,000
n	29,000

#### WEIGHT, KG

	5,100
Bearing	ES202
Housing	T204+WB205

#### MANUFACTURER

[ABC](#)

#### INTERCHANGE

SNR	<a href="#">EST202+WB</a>
-----	---------------------------