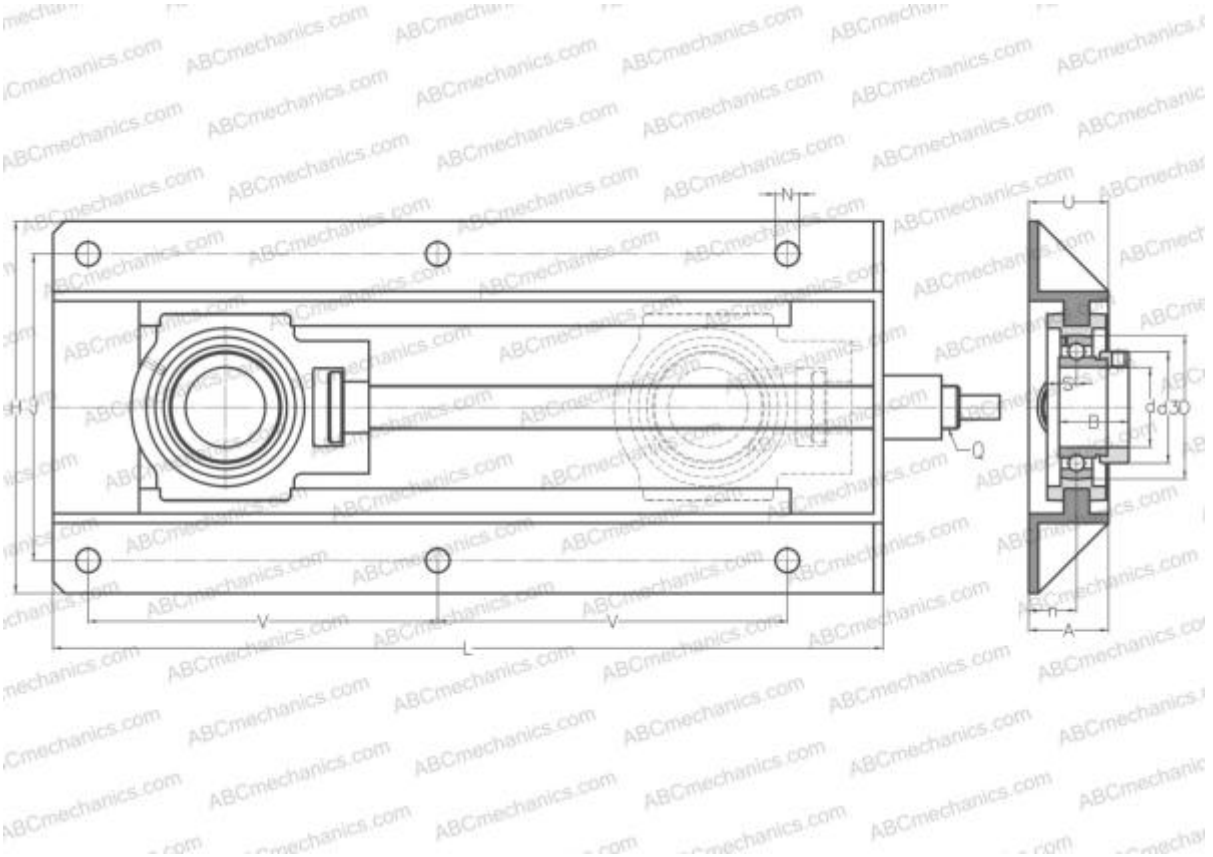


EST204+WB ABC

Ball bearing units

TYPE: Housing units, Take-up housing units, Cast iron and sheet steel housing, Radial insert ball bearing with eccentric locking collar, With inner ring extended at one side



Technical specification

DIMENSIONS, MM

d	20,000
D	47,000
B	30,900
L	317,000
H	199,000
A	50,000
J	154,000
N	12,000
S	7,500
d3	33,300
U	52,400
V	117,000
I	83,000
n	29,000

WEIGHT, KG

Bearing	ES204
Housing	T204+WB205

MANUFACTURER

[ABC](#)

INTERCHANGE

SNR	EST204+WB
-----	---------------------------