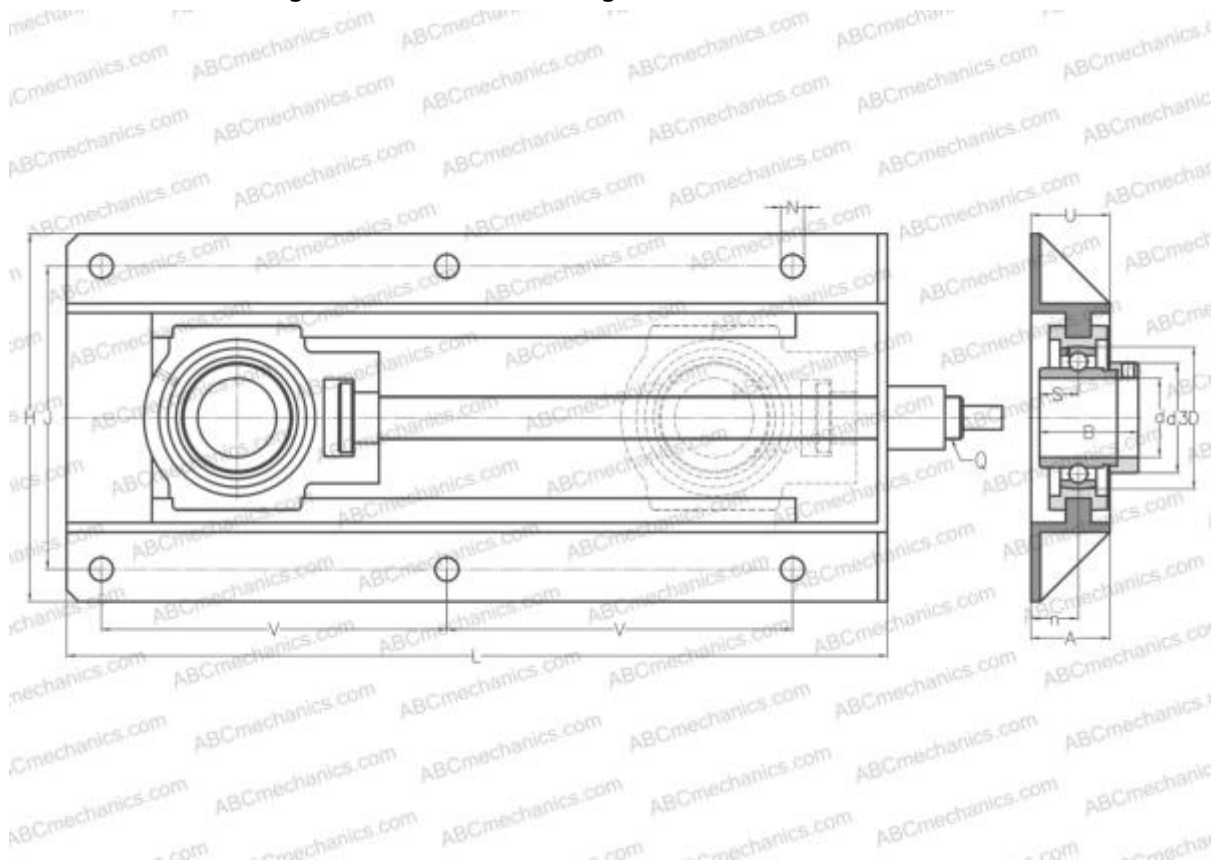


EXT202+WB SNR

Ball bearing units

TYPE: Housing units, Take-up housing units, Cast iron and sheet steel housing, Radial insert ball bearing with eccentric locking collar, With inner ring extended on both sides



Technical specification

DIMENSIONS, MM

| | |
|----|---------|
| d | 15,000 |
| D | 47,000 |
| B | 43,500 |
| L | 317,000 |
| H | 199,000 |
| A | 50,000 |
| J | 154,000 |
| N | 12,000 |
| S | 17,000 |
| d3 | 33,300 |
| U | 55,500 |
| V | 117,000 |
| I | 83,000 |
| n | 29,000 |

WEIGHT, KG

| | |
|---------|------------|
| | 5,300 |
| Bearing | EX202 |
| Housing | T204+WB205 |

MANUFACTURER

[SNR](#)

INTERCHANGE

| | |
|-----|---------------------------|
| ABC | EXT202+WB |
|-----|---------------------------|

CALCULATION DATA

| | |
|------------------------------|-----------|
| Basic dynamic load rating, C | 12,800 kN |
| Basic static load rating, Co | 6,650 kN |
| Operating temperature min | -20 °C |
| Operating temperature max | 110 °C |