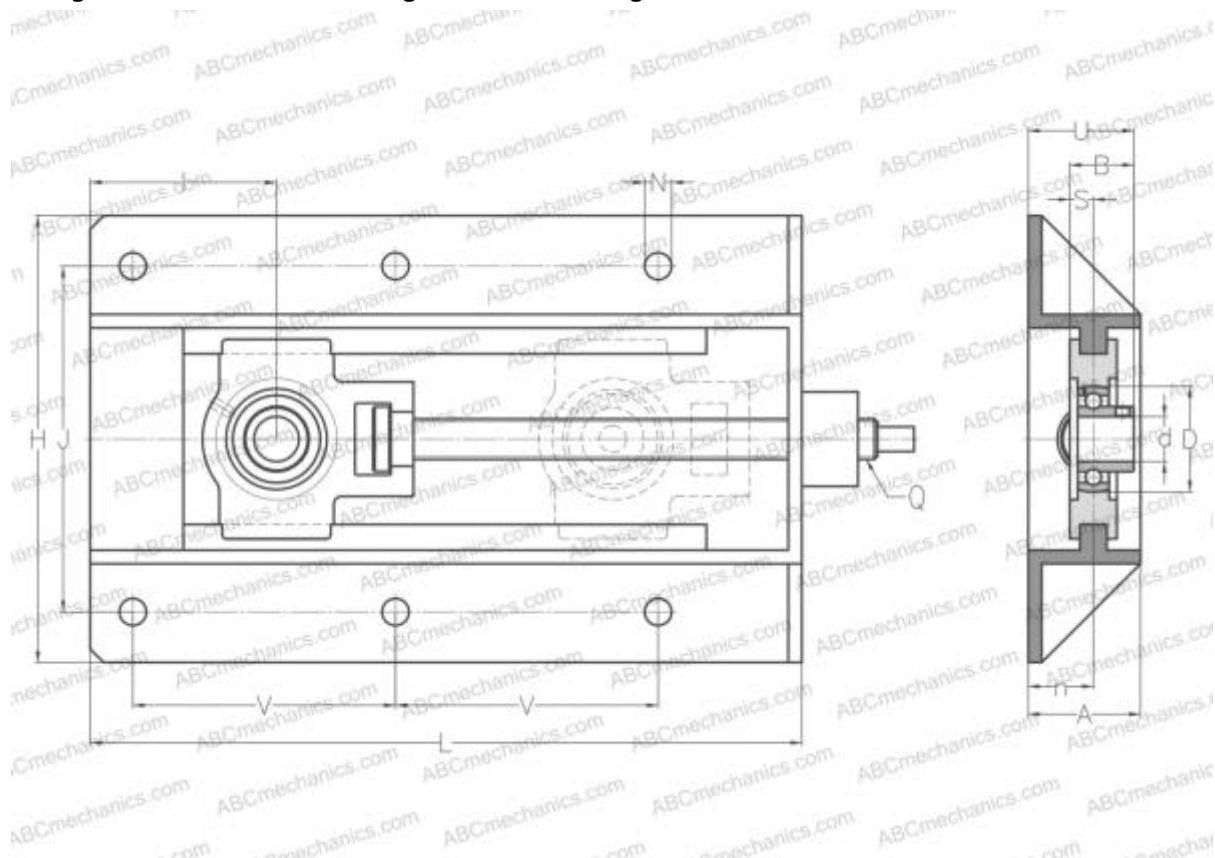


UST203+WB ABC

Ball bearing units

TYPE: Housing units, Take-up housing units, Cast iron and sheet steel housing, Radial insert ball bearing with grub screws in inner ring, With inner ring extended at one side



Technical specification

DIMENSIONS, MM

d	17,000
D	40,000
B	22,000
L	317,000
H	199,000
A	50,000
J	154,000
N	12,000
S	6,000
U	45,000
V	117,000
I	83,000
n	29,000

Bearing	US203
Housing	T204+WB205

MANUFACTURER [ABC](#)

INTERCHANGE
SNR [UST203+WB](#)

WEIGHT, KG 5,100