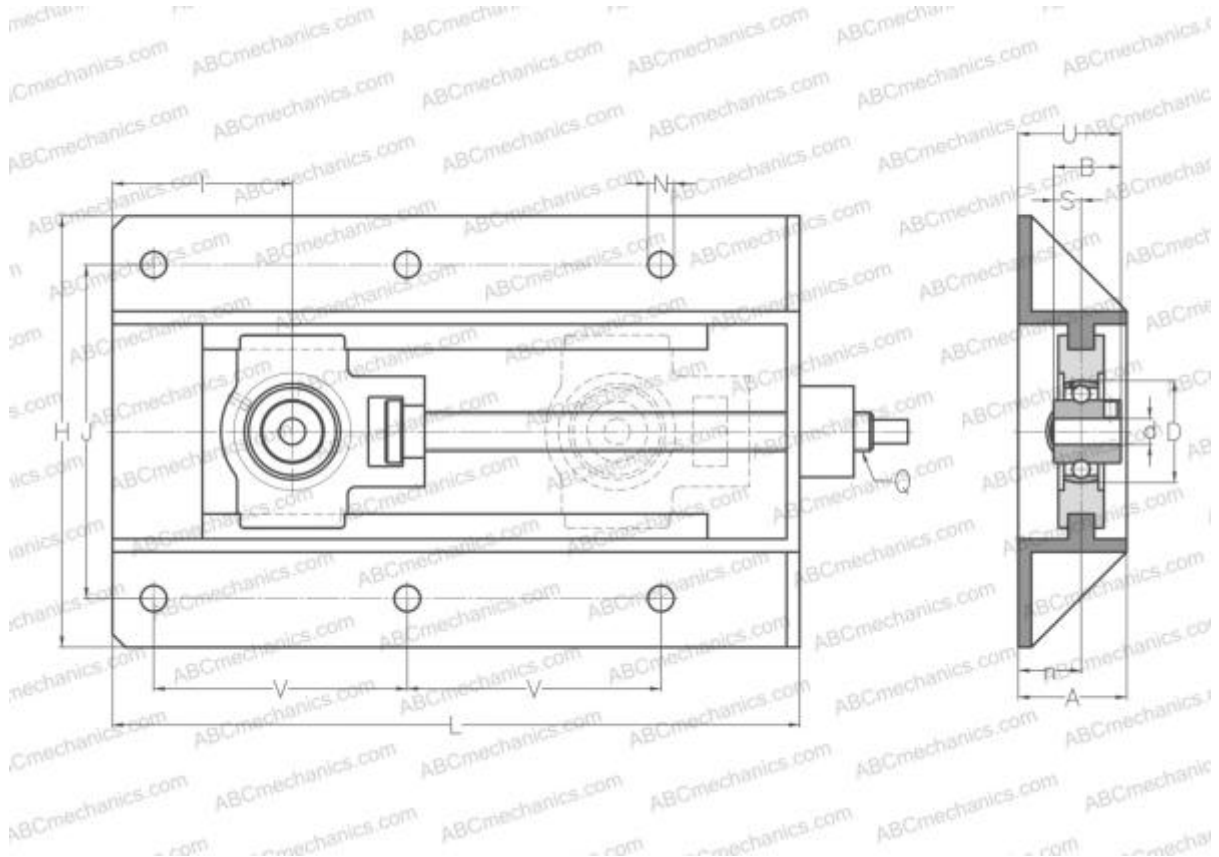


## UCT204+WB SNR

Ball bearing units

TYPE: Housing units, Take-up housing units, Cast iron and sheet steel housing, Radial insert ball bearing with grub screws in inner ring, With inner ring extended on both sides



### Technical specification

#### DIMENSIONS, MM

d	20,000
D	47,000
B	31,000
L	317,000
H	199,000
A	50,000
J	154,000
N	12,000
S	12,700
U	47,300
V	117,000
I	83,000
n	29,000

**WEIGHT, KG** 5,200

Bearing	UC204
Housing	T204+WB205

#### MANUFACTURER

[SNR](#)

#### INTERCHANGE

ABC [UCT204+WB](#)

#### CALCULATION DATA

Basic dynamic load rating, C	12,800 kN
Basic static load rating, Co	6,650 kN
Operating temperature min	-20 °C
Operating temperature max	110 °C