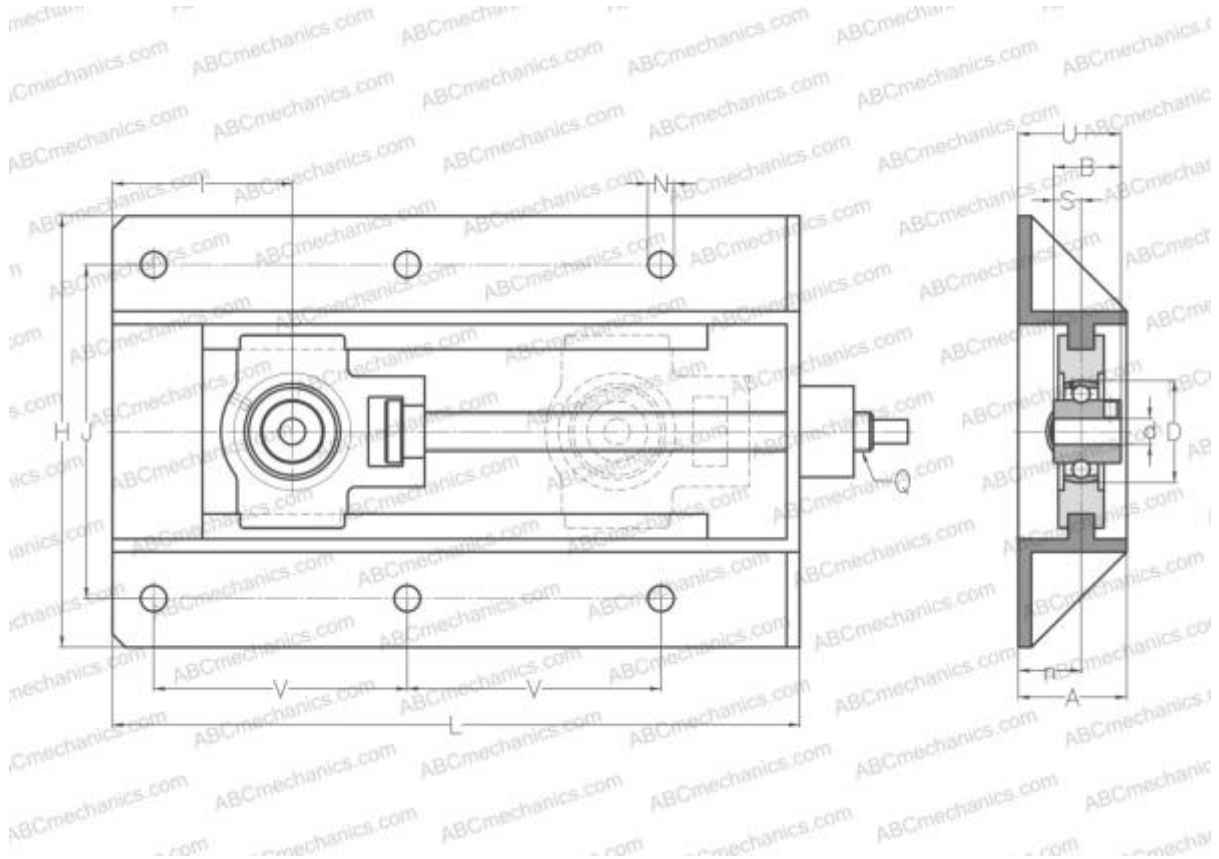


UCT205+WB ABC

Ball bearing units

TYPE: Housing units, Take-up housing units, Cast iron and sheet steel housing, Radial insert ball bearing with grub screws in inner ring, With inner ring extended on both sides



Technical specification

DIMENSIONS, MM

| | |
|---|---------|
| d | 25,000 |
| D | 52,000 |
| B | 34,000 |
| L | 317,000 |
| H | 199,000 |
| A | 50,000 |
| J | 154,000 |
| N | 12,000 |
| S | 14,300 |
| U | 48,700 |
| V | 117,000 |
| I | 83,000 |
| n | 29,000 |

WEIGHT, KG 5,200

| | |
|---------|------------|
| Bearing | UC205 |
| Housing | T205+WB205 |

MANUFACTURER

[ABC](#)

INTERCHANGE

| | |
|-----|---------------------------|
| SNR | UCT205+WB |
|-----|---------------------------|