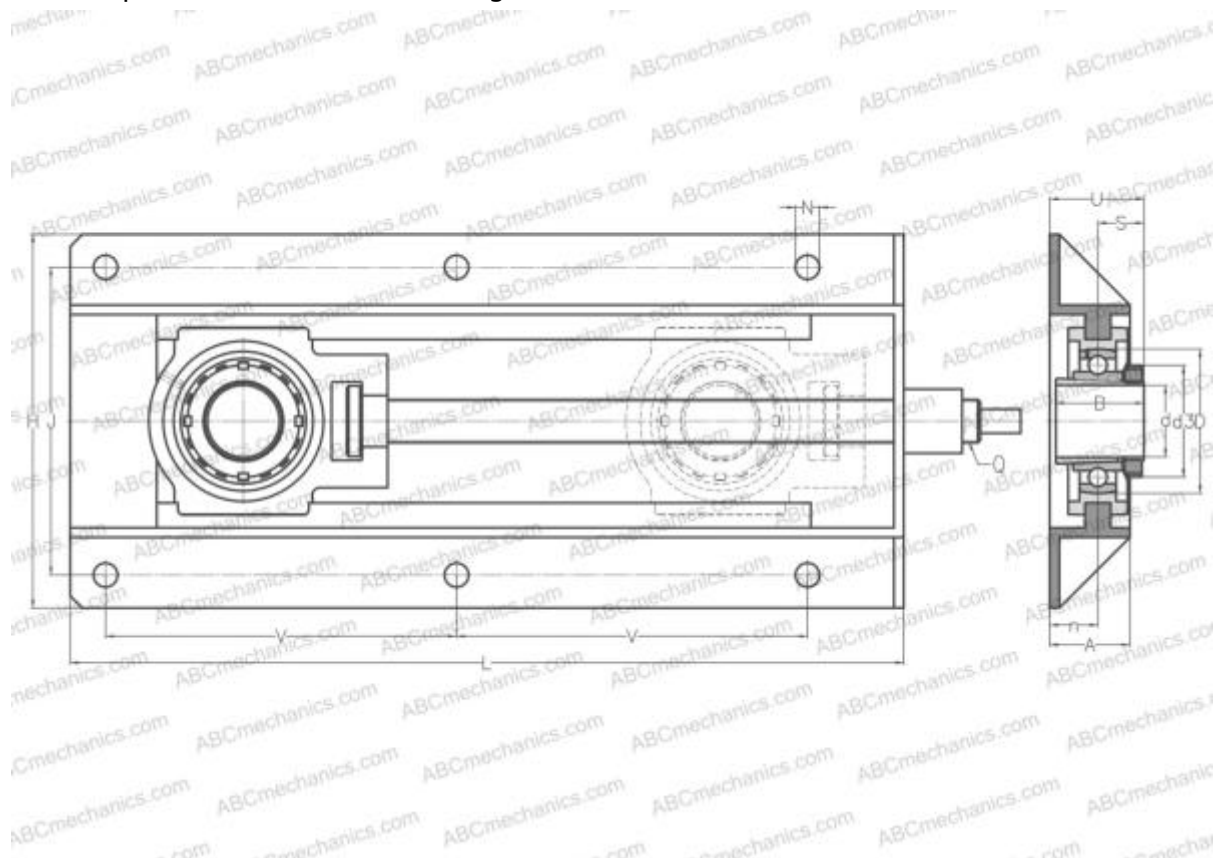


UKT205H+WB ABC

Ball bearing units

TYPE: Housing units, Take-up housing units, Cast iron and sheet steel housing, Radial insert ball bearing with adapter sleeve, With inner ring extended on both sides



Technical specification

DIMENSIONS, MM

d	20,000
D	52,000
B	35,000
L	317,000
H	199,000
A	50,000
J	154,000
N	12,000
S	18,500
d3	38,000
U	47,500
V	117,000
I	83,000
n	29,000

WEIGHT, KG

	5,200
Bearing	UK205 +
Housing	T205+WB205
Adapter sleeve	H2305

MANUFACTURER

[ABC](#)

INTERCHANGE

SNR	UKT205H+WB
-----	----------------------------