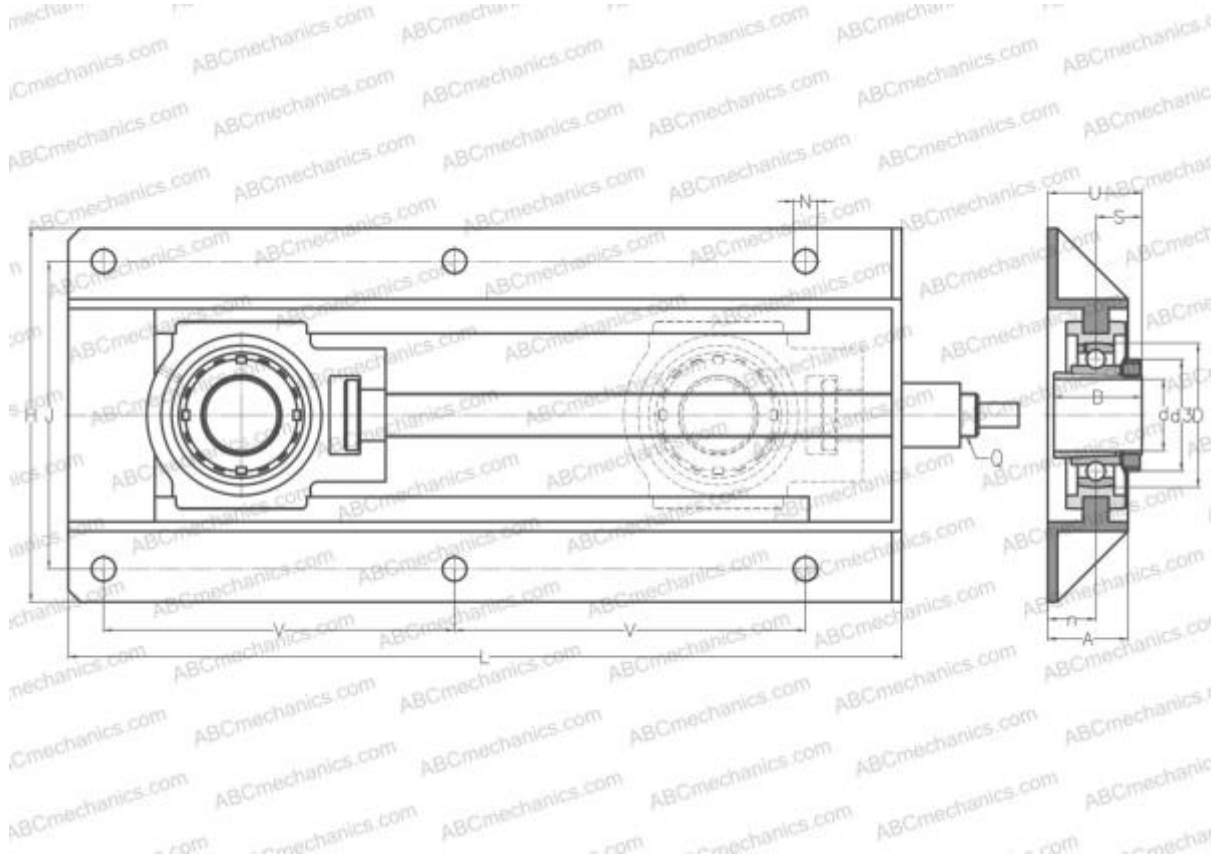


## UKT205H+WB SNR

Ball bearing units

TYPE: Housing units, Take-up housing units, Cast iron and sheet steel housing, Radial insert ball bearing with adapter sleeve, With inner ring extended on both sides



### Technical specification

#### DIMENSIONS, MM

d	20,000
D	52,000
B	35,000
L	317,000
H	199,000
A	50,000
J	154,000
N	12,000
S	18,500
d3	38,000
U	47,500
V	117,000
l	83,000
n	29,000

#### WEIGHT, KG

Bearing	5,200
Housing	UK205 + T205+WB205
Adapter sleeve	H2305

#### MANUFACTURER

[SNR](#)

#### INTERCHANGE

ABC	<a href="#">UKT205H+WB</a>
-----	----------------------------

#### CALCULATION DATA

Basic dynamic load rating, C	14,000 kN
Basic static load rating, Co	7,880 kN
Operating temperature min	-20 °C
Operating temperature max	110 °C