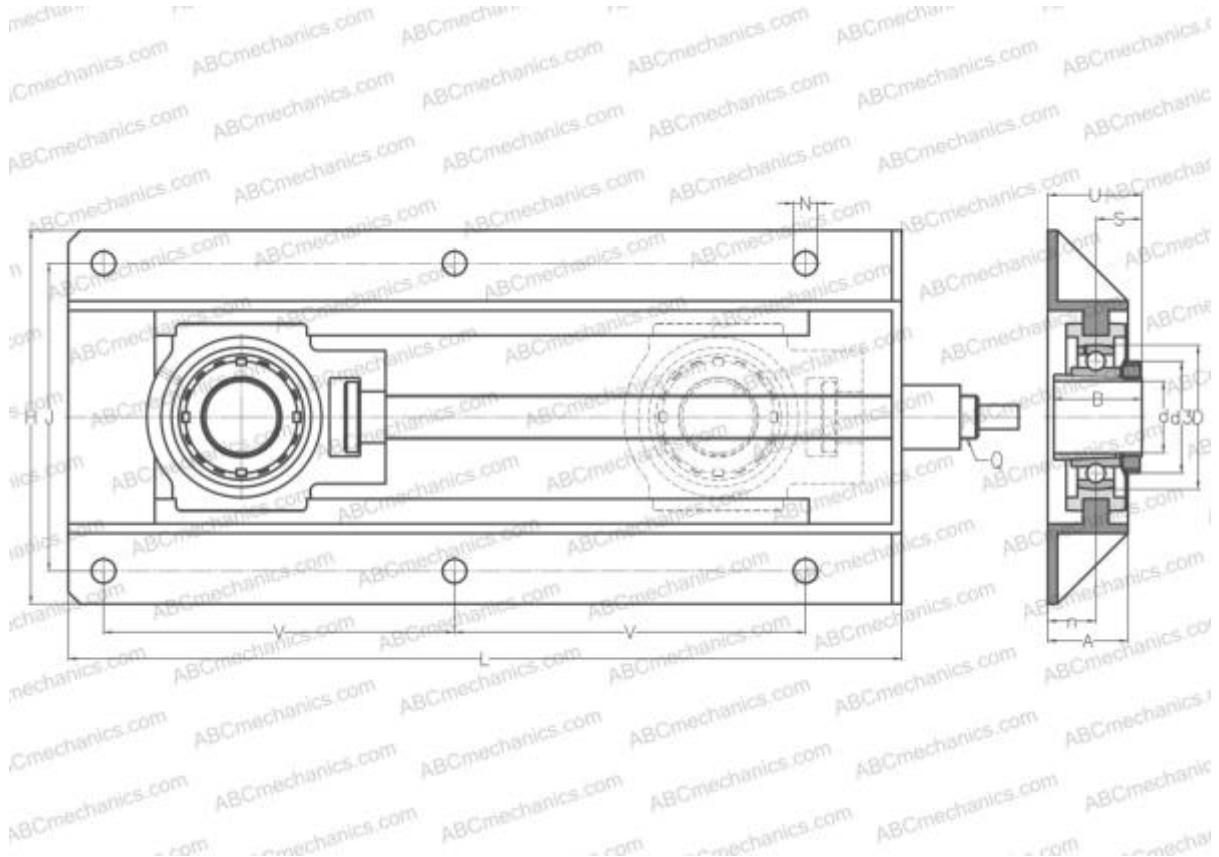


## UKT206H+WB SNR

Ball bearing units

TYPE: Housing units, Take-up housing units, Cast iron and sheet steel housing, Radial insert ball bearing with adapter sleeve, With inner ring extended on both sides



### Technical specification

#### DIMENSIONS, MM

d	25,000
D	62,000
B	38,000
L	337,000
H	212,000
A	50,000
J	166,000
N	12,000
S	20,500
d3	45,000
U	50,500
V	127,000
l	95,000
n	30,000

#### WEIGHT, KG

	6,300
Bearing	UK206 +
Housing	T206+WB206
Adapter sleeve	H2306

#### MANUFACTURER

[SNR](#)

#### INTERCHANGE

ABC	<a href="#">UKT206H+WB</a>
-----	----------------------------

#### CALCULATION DATA

Basic dynamic load rating, C	19,500 kN
Basic static load rating, Co	11,200 kN
Operating temperature min	-20 °C
Operating temperature max	110 °C