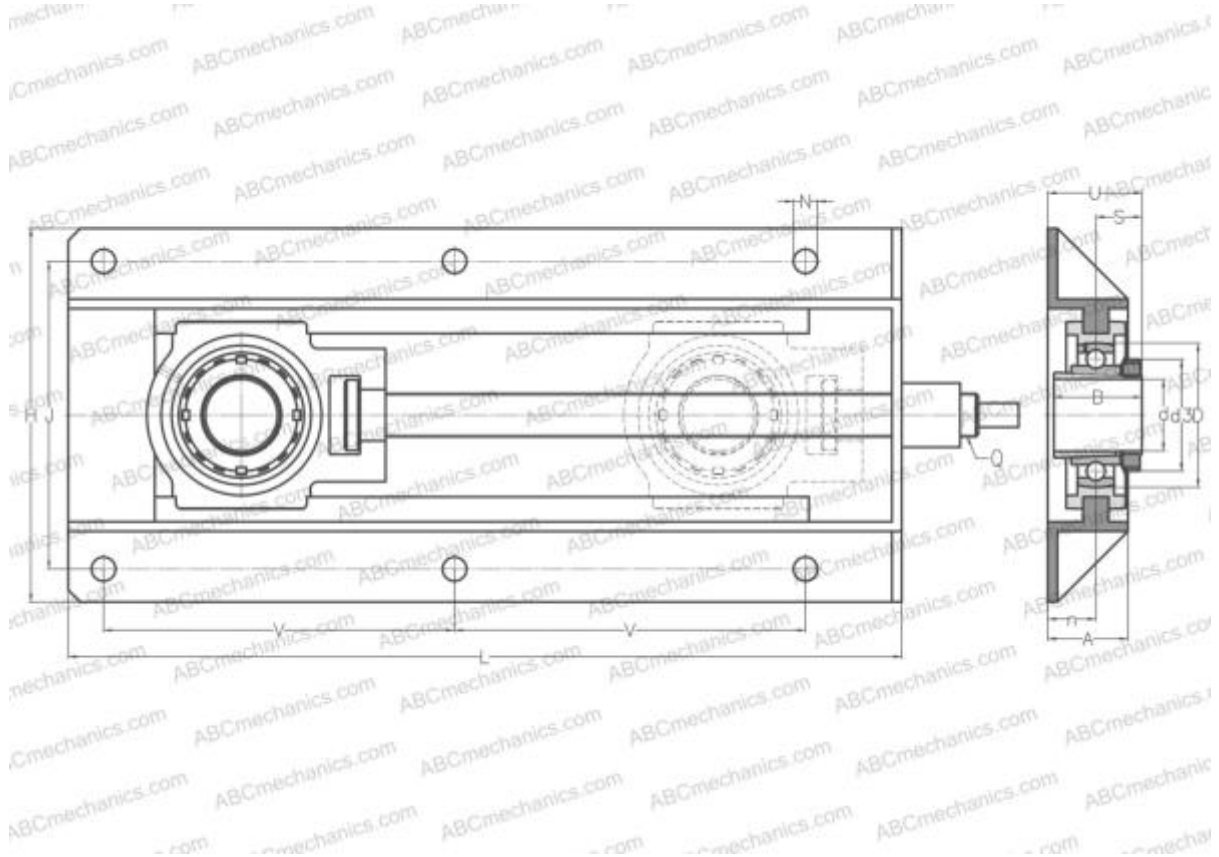


## UKT208H+WB ABC

Ball bearing units

TYPE: Housing units, Take-up housing units, Cast iron and sheet steel housing, Radial insert ball bearing with adapter sleeve, With inner ring extended on both sides



### Technical specification

#### DIMENSIONS, MM

d	35,000
D	80,000
B	46,000
L	520,000
H	233,000
A	50,000
J	192,000
N	15,000
S	24,500
d3	58,000
U	54,500
V	219,000
I	108,000
n	30,000

#### WEIGHT, KG

	11,800
Bearing	UK208 +
Housing	T208+WB210
Adapter sleeve	H2308

#### MANUFACTURER

[ABC](#)

#### INTERCHANGE

SNR	<a href="#">UKT208H+WB</a>
-----	----------------------------