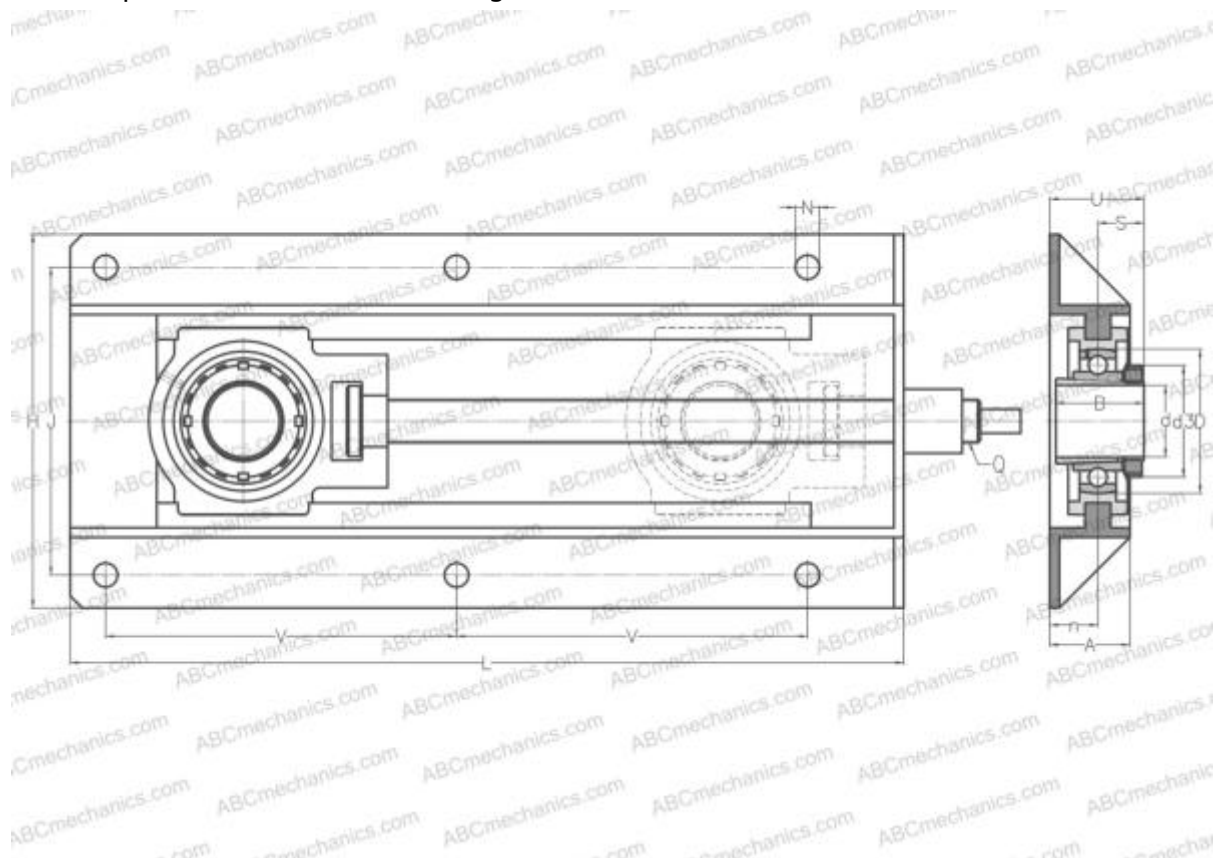


UKT209H+WB ABC

Ball bearing units

TYPE: Housing units, Take-up housing units, Cast iron and sheet steel housing, Radial insert ball bearing with adapter sleeve, With inner ring extended on both sides



Technical specification

DIMENSIONS, MM

| | |
|----|---------|
| d | 40,000 |
| D | 85,000 |
| B | 50,000 |
| L | 520,000 |
| H | 233,000 |
| A | 50,000 |
| J | 192,000 |
| N | 15,000 |
| S | 26,000 |
| d3 | 65,000 |
| U | 56,000 |
| V | 219,000 |
| I | 108,000 |
| n | 30,000 |

WEIGHT, KG

| | |
|----------------|------------|
| | 11,900 |
| Bearing | UK209 + |
| Housing | T209+WB210 |
| Adapter sleeve | H2309 |

MANUFACTURER

[ABC](#)

INTERCHANGE

| | |
|-----|----------------------------|
| SNR | UKT209H+WB |
|-----|----------------------------|