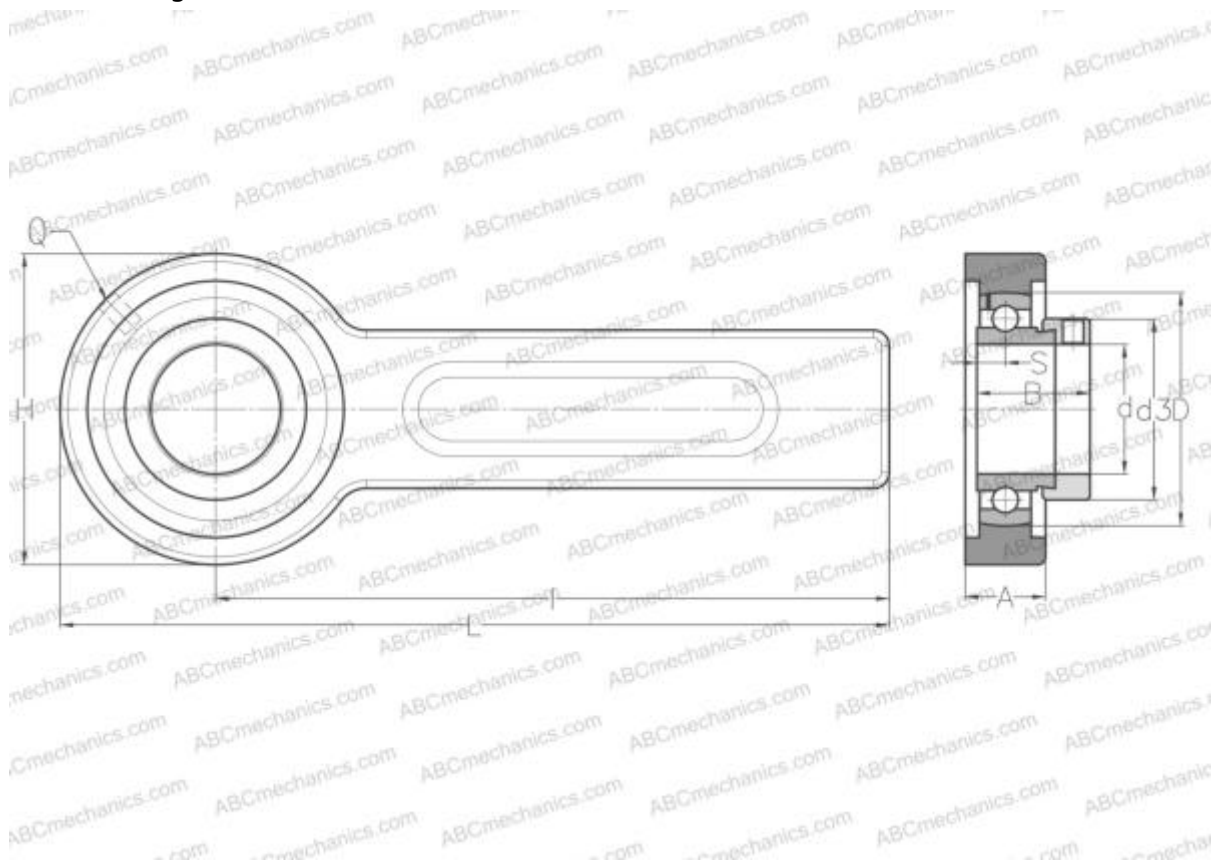


ESSP202 ABC

Ball bearing units

TYPE: Housing units, Conveyor belt tensioner unit, Radial insert ball bearing with eccentric locking collar, With inner ring extended at one side



Technical specification

DIMENSIONS, MM

d	15,000
D	40,000
B	28,600
L	264,000
H	78,000
A	21,000
H1	41,000
S	6,500
I	225,000
Q	R1/8"

WEIGHT, KG

	1,600
Bearing	ES202
Housing	03-205/40

MANUFACTURER

[ABC](#)

INTERCHANGE

SNR

[ESSP202](#)