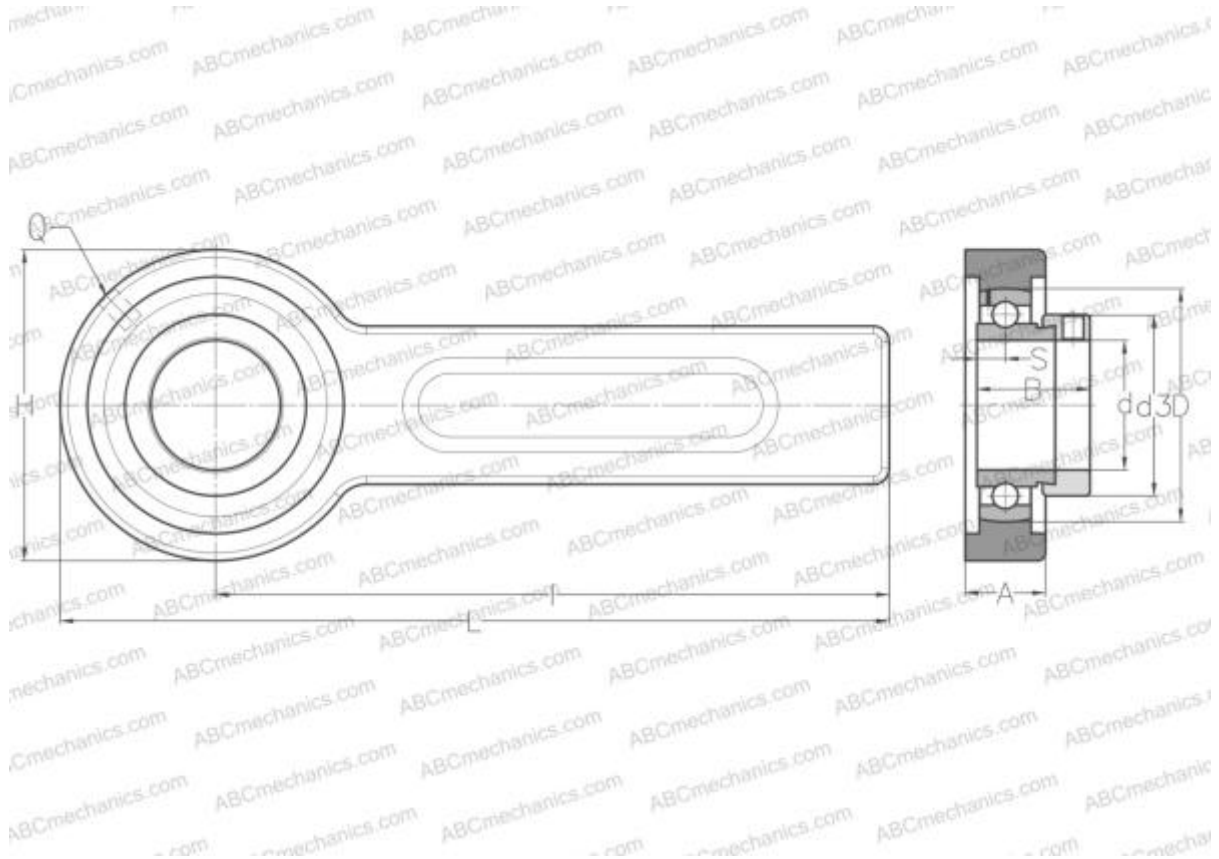


ESSP204 SNR

Ball bearing units

TYPE: Housing units, Conveyor belt tensioner unit, Radial insert ball bearing with eccentric locking collar, With inner ring extended at one side



Technical specification

DIMENSIONS, MM

d	20,000
D	47,000
B	30,900
L	264,000
H	78,000
A	21,000
H1	41,000
S	7,500
I	225,000
Q	R1/8"

WEIGHT, KG

Bearing	ES204
Housing	03-205/40

MANUFACTURER

[SNR](#)

INTERCHANGE

ABC

[ESSP204](#)

CALCULATION DATA

Basic dynamic load rating, C	12,800 kN
Basic static load rating, Co	6,650 kN
Operating temperature min	-20 °C
Operating temperature max	110 °C