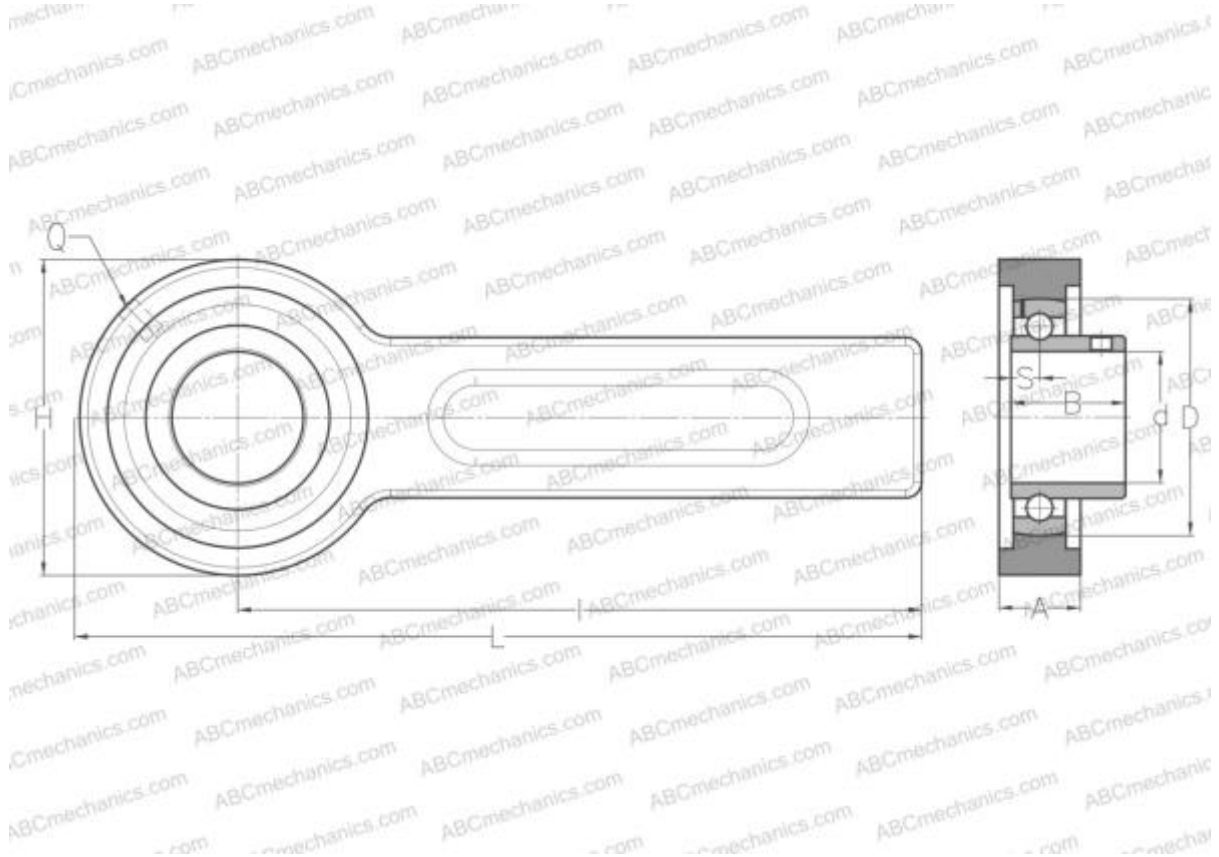


## USSP204 ABC

Ball bearing units

TYPE: Housing units, Conveyor belt tensioner unit, Radial insert ball bearing with grub screws in inner ring, With inner ring extended at one side



### Technical specification

#### DIMENSIONS, MM

d	20,000
D	47,000
B	25,000
L	264,000
H	78,000
A	21,000
H1	41,000
S	7,000
d3	29,000
I	225,000
Q	R1/8"

#### WEIGHT, KG

	1,600
Bearing	US204

Housing

03-205/40

**MANUFACTURER**

[ABC](#)

**INTERCHANGE**

SNR

[USSP204](#)