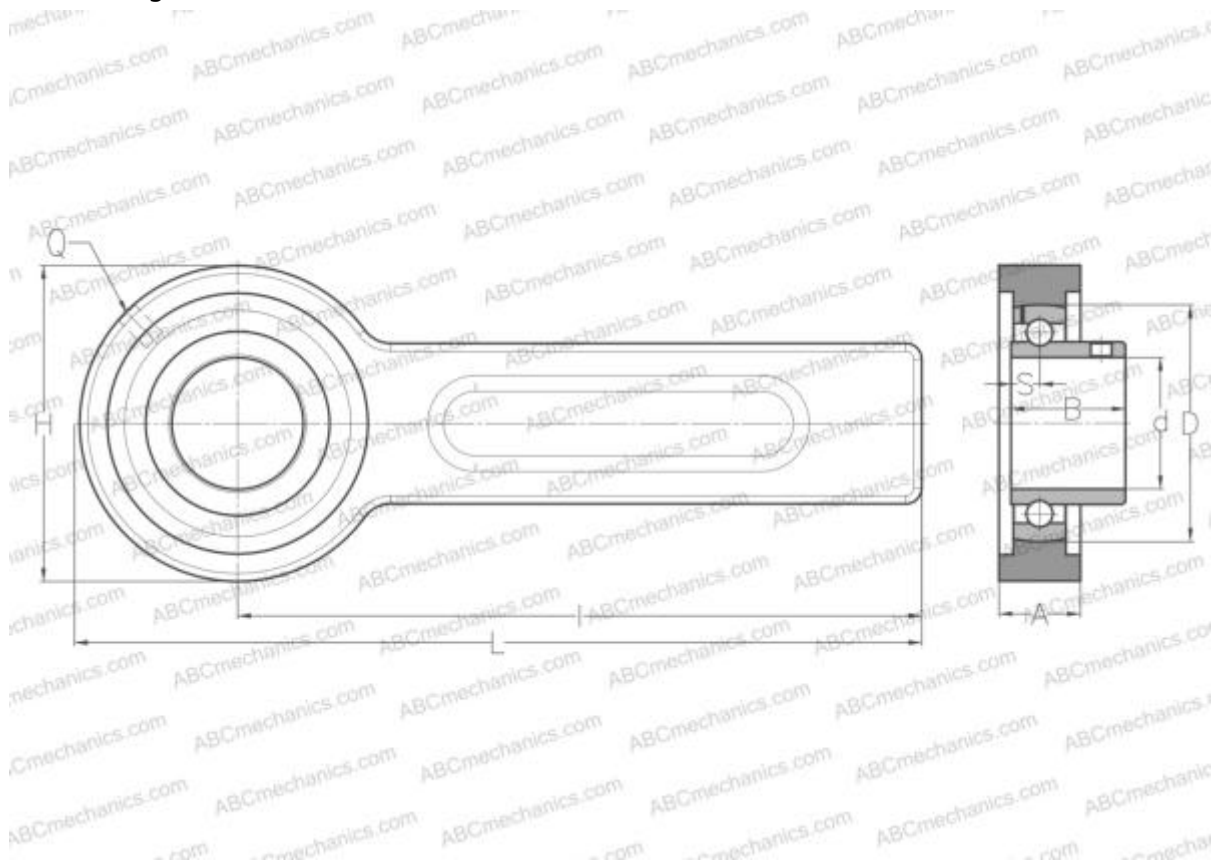


## USSP204 SNR

Ball bearing units

TYPE: Housing units, Conveyor belt tensioner unit, Radial insert ball bearing with grub screws in inner ring, With inner ring extended at one side



### Technical specification

#### DIMENSIONS, MM

d	20,000
D	47,000
B	25,000
L	264,000
H	78,000
A	21,000
H1	41,000
S	7,000
d3	29,000
I	225,000
Q	R1/8"

**WEIGHT, KG** 1,600

Bearing US204

Housing 03-205/40

#### MANUFACTURER

[SNR](#)

#### INTERCHANGE

ABC [USSP204](#)

#### CALCULATION DATA

Basic dynamic load rating, C	12,800 kN
Basic static load rating, Co	6,650 kN
Operating temperature min	-20 °C
Operating temperature max	110 °C