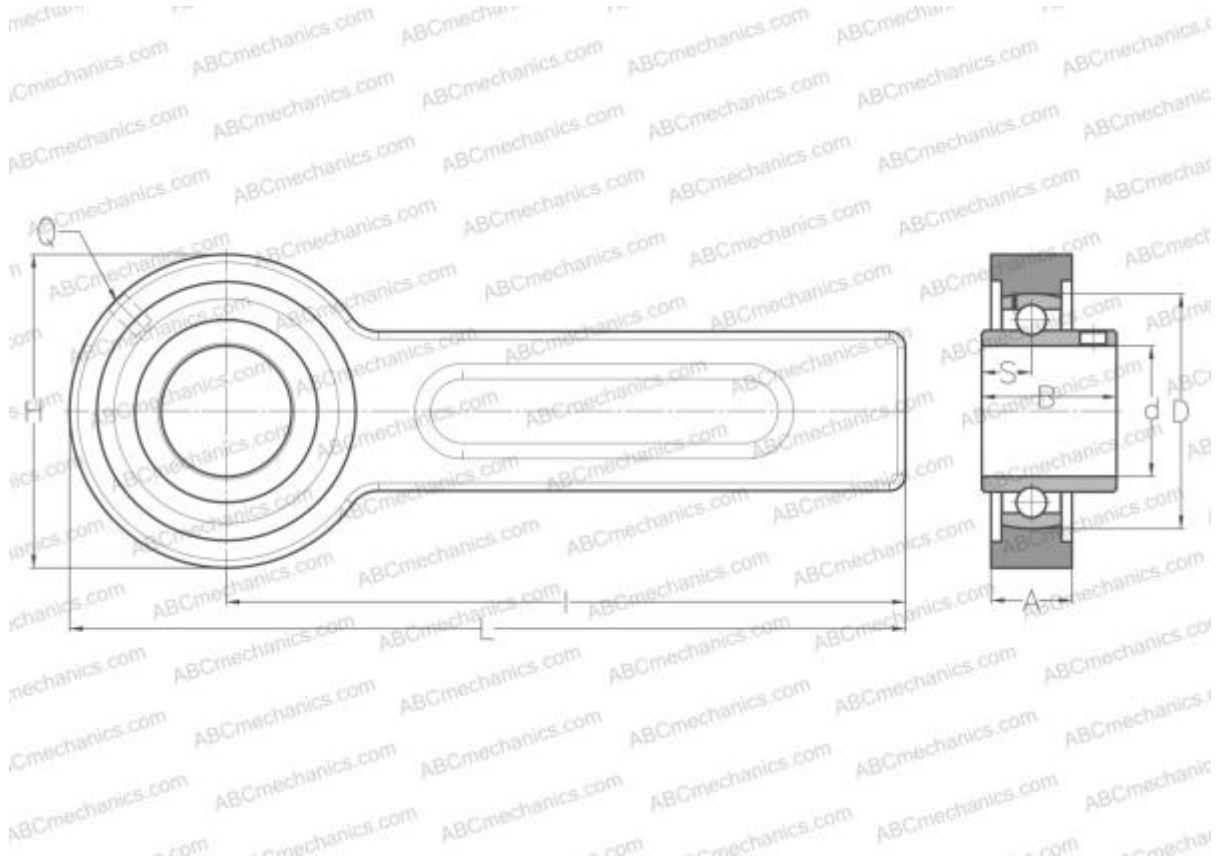


## UCSP203 SNR

Ball bearing units

TYPE: Housing units, Conveyor belt tensioner unit, Radial insert ball bearing with grub screws in inner ring, With inner ring extended on both sides



### Technical specification

#### DIMENSIONS, MM

|    |         |
|----|---------|
| d  | 17,000  |
| D  | 47,000  |
| B  | 31,000  |
| L  | 264,000 |
| H  | 78,000  |
| A  | 21,000  |
| H1 | 41,000  |
| S  | 12,700  |
| d3 | 29,000  |
| I  | 225,000 |
| Q  | R1/8"   |

**WEIGHT, KG** 1,700

Bearing UC203

Housing 03-205/47

#### MANUFACTURER

[SNR](#)

#### INTERCHANGE

ABC [UCSP203](#)

#### CALCULATION DATA

|                              |           |
|------------------------------|-----------|
| Basic dynamic load rating, C | 12,800 kN |
| Basic static load rating, Co | 6,650 kN  |
| Operating temperature min    | -20 °C    |
| Operating temperature max    | 110 °C    |