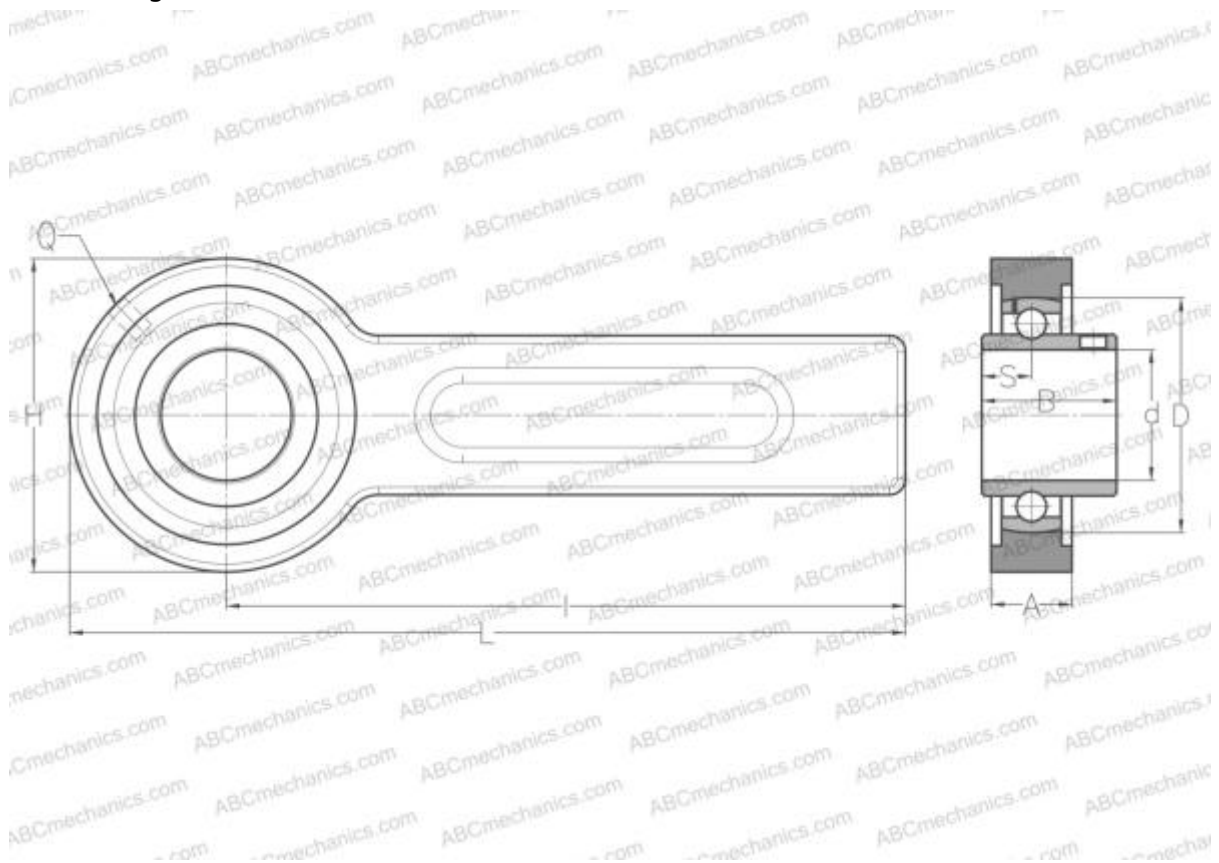


## UCSP204 ABC

Ball bearing units

TYPE: Housing units, Conveyor belt tensioner unit, Radial insert ball bearing with grub screws in inner ring, With inner ring extended on both sides



### Technical specification

#### DIMENSIONS, MM

|    |         |
|----|---------|
| d  | 20,000  |
| D  | 47,000  |
| B  | 31,000  |
| L  | 264,000 |
| H  | 78,000  |
| A  | 21,000  |
| H1 | 41,000  |
| S  | 12,700  |
| d3 | 29,000  |
| I  | 225,000 |
| Q  | R1/8"   |

#### WEIGHT, KG

|         |       |
|---------|-------|
| Housing | 1,700 |
| Bearing | UC204 |

Housing

03-205/47

#### MANUFACTURER

[ABC](#)

#### INTERCHANGE

SNR

[UCSP204](#)