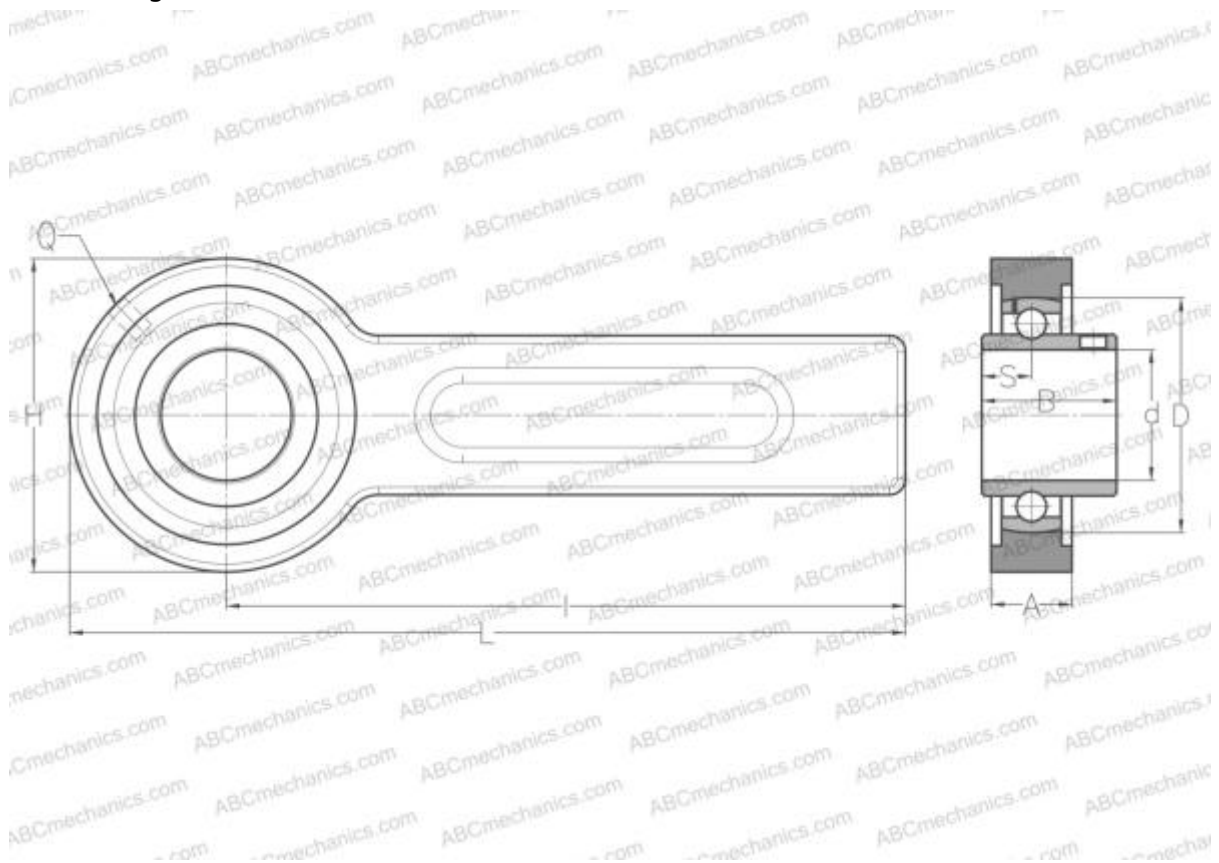


## UCSP205 SNR

Ball bearing units

TYPE: Housing units, Conveyor belt tensioner unit, Radial insert ball bearing with grub screws in inner ring, With inner ring extended on both sides



### Technical specification

#### DIMENSIONS, MM

d	25,000
D	52,000
B	34,000
L	264,000
H	78,000
A	21,000
H1	41,000
S	14,300
d3	34,000
I	225,000
Q	R1/8"

**WEIGHT, KG** 1,700

Bearing UC205

Housing 03-205/52

**MANUFACTURER** [SNR](#)

#### INTERCHANGE

ABC [UCSP205](#)

#### CALCULATION DATA

Basic dynamic load rating, C	14,000 kN
Basic static load rating, Co	7,880 kN
Operating temperature min	-20 °C
Operating temperature max	110 °C