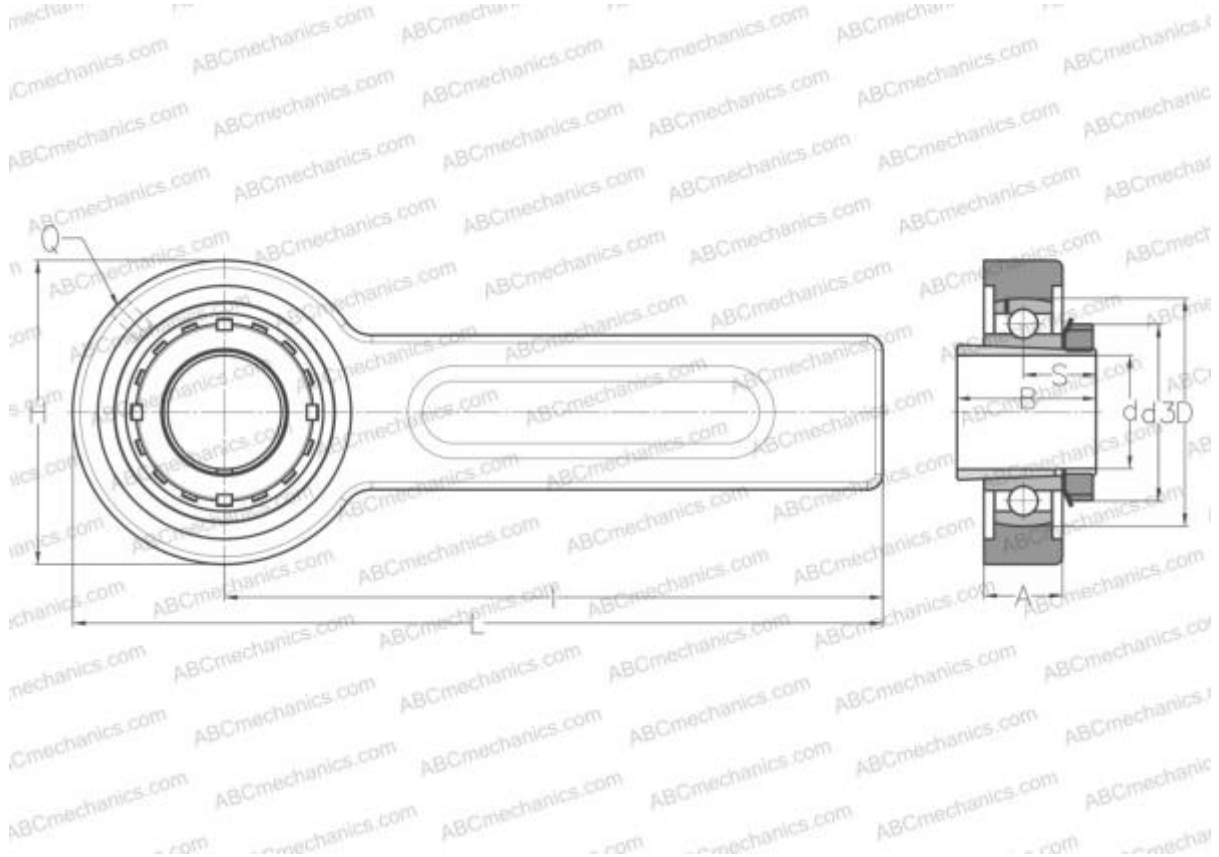


UKSP205H ABC

Ball bearing units

TYPE: Housing units, Conveyor belt tensioner unit, Radial insert ball bearing with adapter sleeve, With inner ring extended on both sides



Technical specification

DIMENSIONS, MM

d	20,000
D	52,000
B	35,000
L	264,000
H	78,000
A	21,000
H1	41,000
S	18,500
I	225,000
Q	R1/8"

WEIGHT, KG

1,700

Bearing	UK205 +
Housing	03-205/52

Adapter sleeve

H2305

MANUFACTURER

[ABC](#)

INTERCHANGE

SNR

[UKSP205H](#)