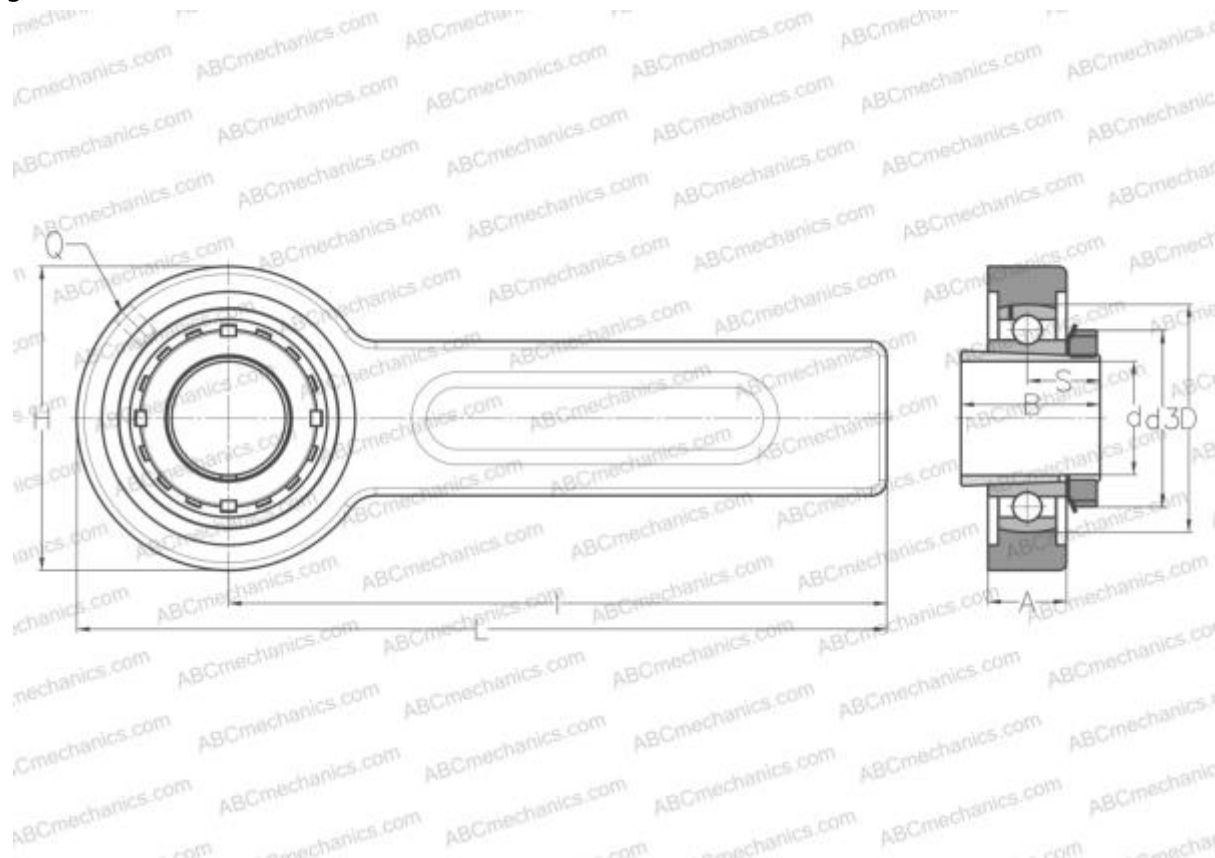


## UKSP205H SNR

Ball bearing units

TYPE: Housing units, Conveyor belt tensioner unit, Radial insert ball bearing with adapter sleeve, With inner ring extended on both sides



### Technical specification

#### DIMENSIONS, MM

d	20,000
D	52,000
B	35,000
L	264,000
H	78,000
A	21,000
H1	41,000
S	18,500
I	225,000
Q	R1/8"

#### WEIGHT, KG

Bearing	UK205 +
Housing	03-205/52

Adapter sleeve H2305

#### MANUFACTURER

[SNR](#)

#### INTERCHANGE

ABC [UKSP205H](#)

#### CALCULATION DATA

Basic dynamic load rating, C	14,000 kN
Basic static load rating, Co	7,880 kN
Operating temperature min	-20 °C
Operating temperature max	110 °C