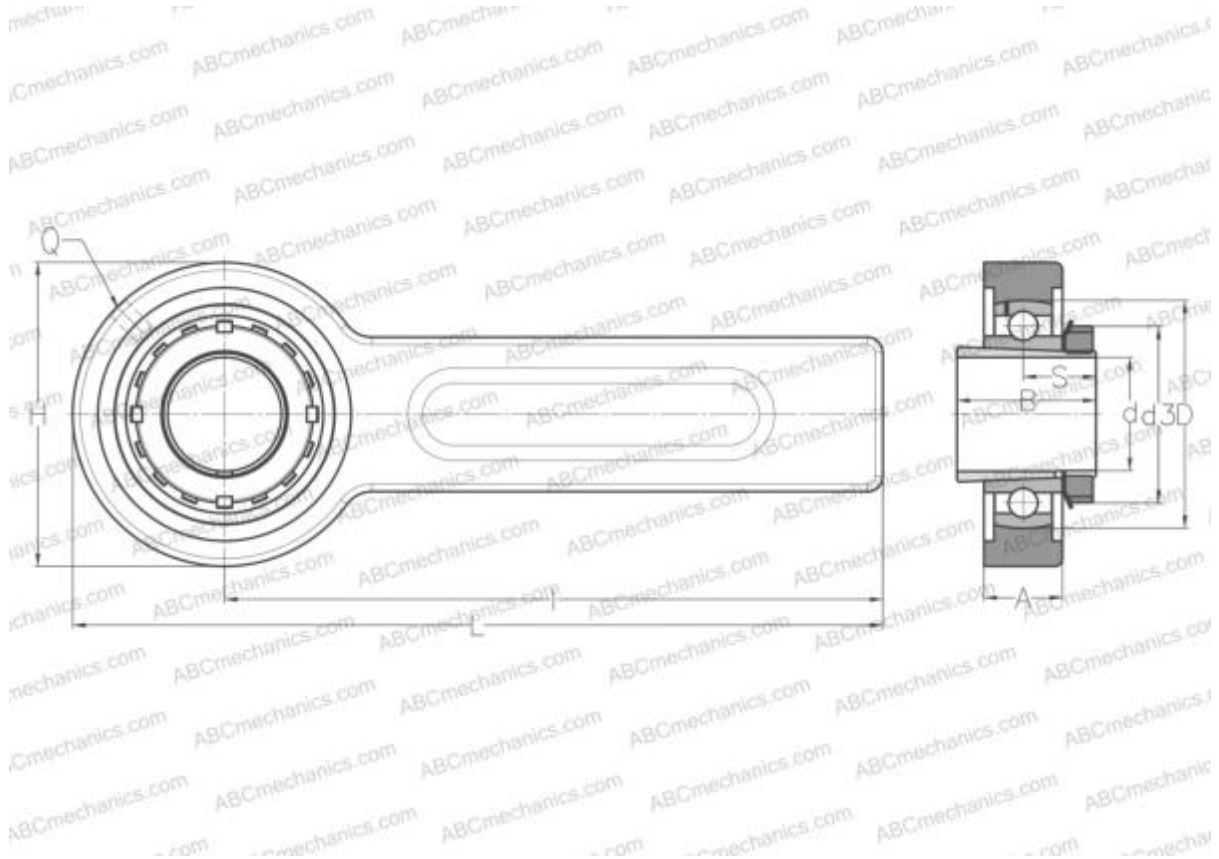


## UKSP206H SNR

Ball bearing units

TYPE: Housing units, Conveyor belt tensioner unit, Radial insert ball bearing with adapter sleeve, With inner ring extended on both sides



### Technical specification

#### DIMENSIONS, MM

d	25,000
D	62,000
B	38,000
L	274,000
H	98,000
A	21,000
H1	41,000
S	20,500
I	225,000
Q	R1/8"

#### WEIGHT, KG

2,000

Bearing	UK206 +
Housing	06-207/62

Adapter sleeve

H2306

#### MANUFACTURER

[SNR](#)

#### INTERCHANGE

ABC

[UKSP206H](#)

#### CALCULATION DATA

Basic dynamic load rating, C	19,500 kN
Basic static load rating, Co	11,200 kN
Operating temperature min	-20 °C
Operating temperature max	110 °C