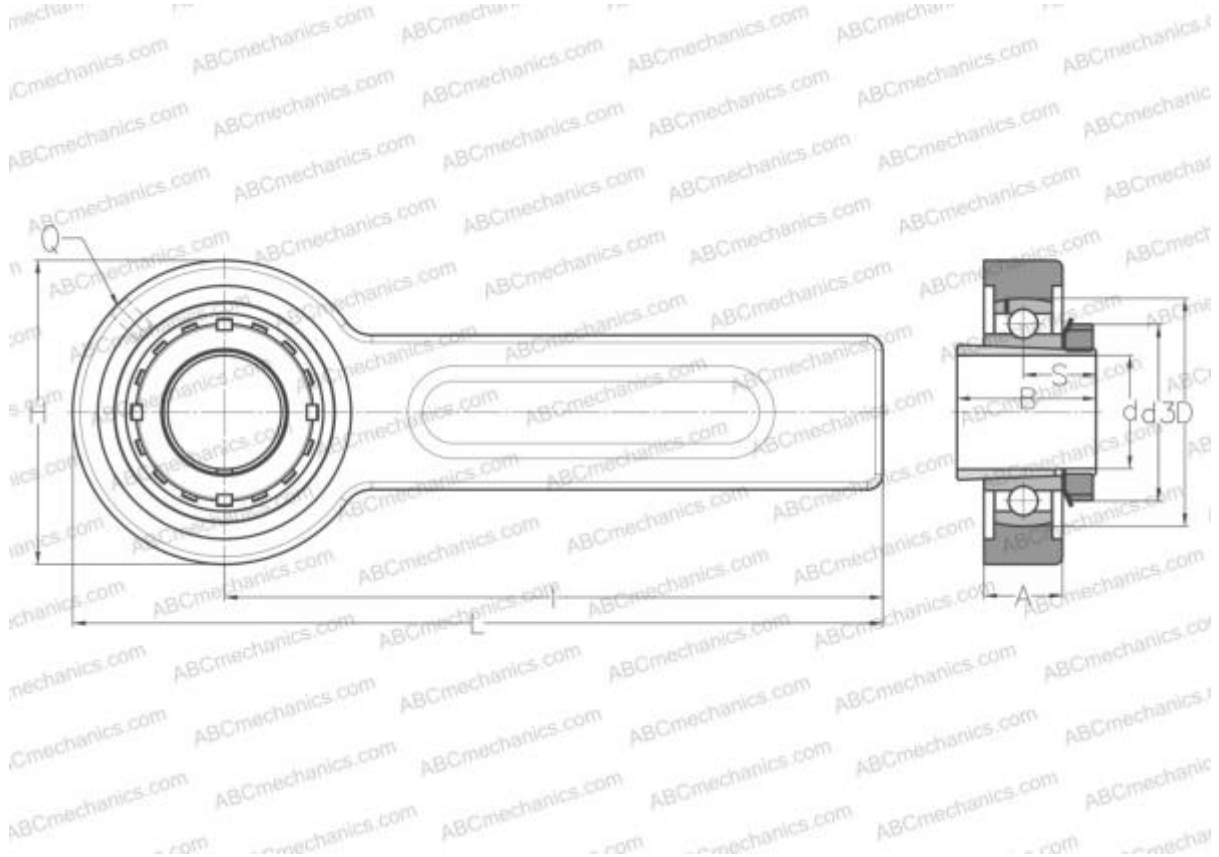


## UKSP208H ABC

Ball bearing units

TYPE: Housing units, Conveyor belt tensioner unit, Radial insert ball bearing with adapter sleeve, With inner ring extended on both sides



### Technical specification

#### DIMENSIONS, MM

d	35,000
D	80,000
B	46,000
L	320,000
H	120,000
A	31,000
H1	61,000
S	24,500
I	260,000
Q	R1/8"

#### WEIGHT, KG

4,300

Bearing	UK208 +
Housing	08-210/80

Adapter sleeve

H2308

#### MANUFACTURER

[ABC](#)

#### INTERCHANGE

SNR

[UKSP208H](#)