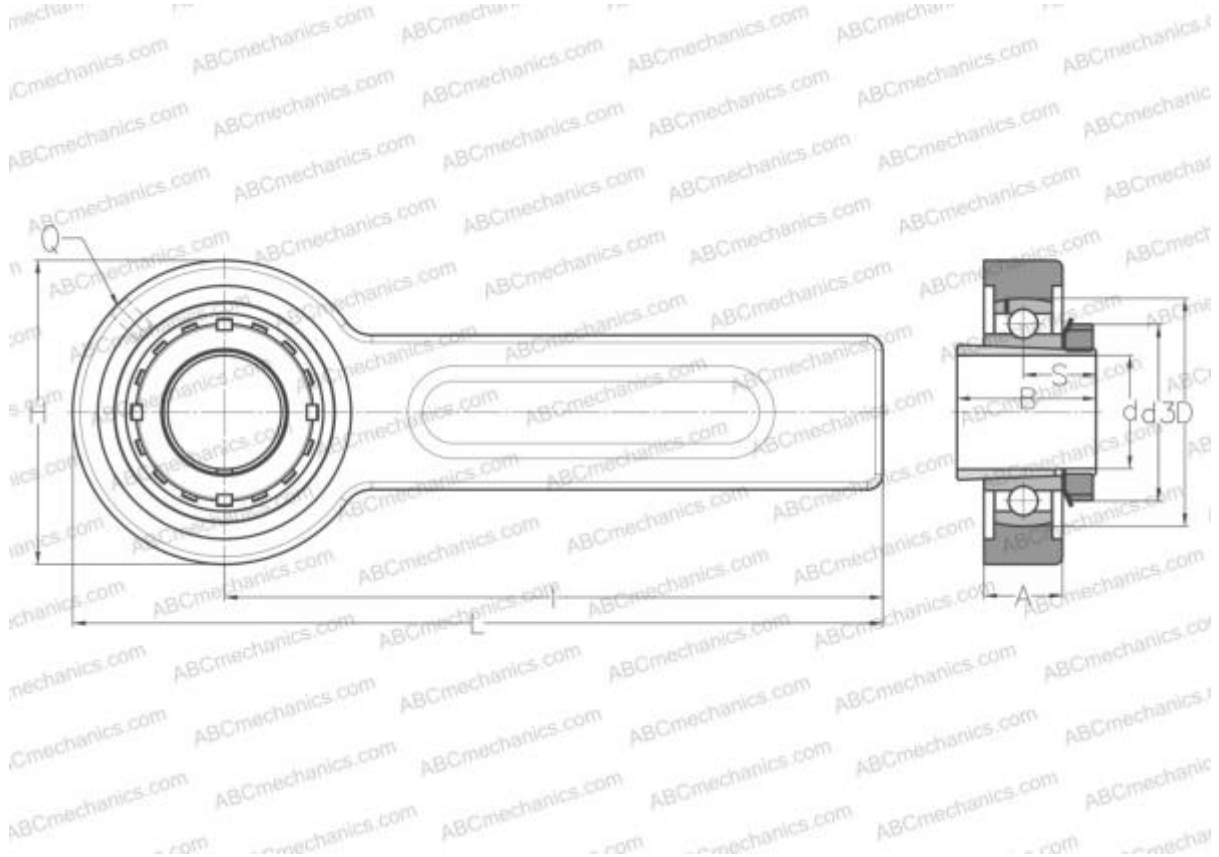


UKSP208H SNR

Ball bearing units

TYPE: Housing units, Conveyor belt tensioner unit, Radial insert ball bearing with adapter sleeve, With inner ring extended on both sides



Technical specification

DIMENSIONS, MM

d	35,000
D	80,000
B	46,000
L	320,000
H	120,000
A	31,000
H1	61,000
S	24,500
I	260,000
Q	R1/8"

WEIGHT, KG

4,300

Bearing	UK208 +
Housing	08-210/80

Adapter sleeve

H2308

MANUFACTURER

[SNR](#)

INTERCHANGE

ABC

[UKSP208H](#)

CALCULATION DATA

Basic dynamic load rating, C	29,600 kN
Basic static load rating, Co	18,200 kN
Operating temperature min	-20 °C
Operating temperature max	110 °C