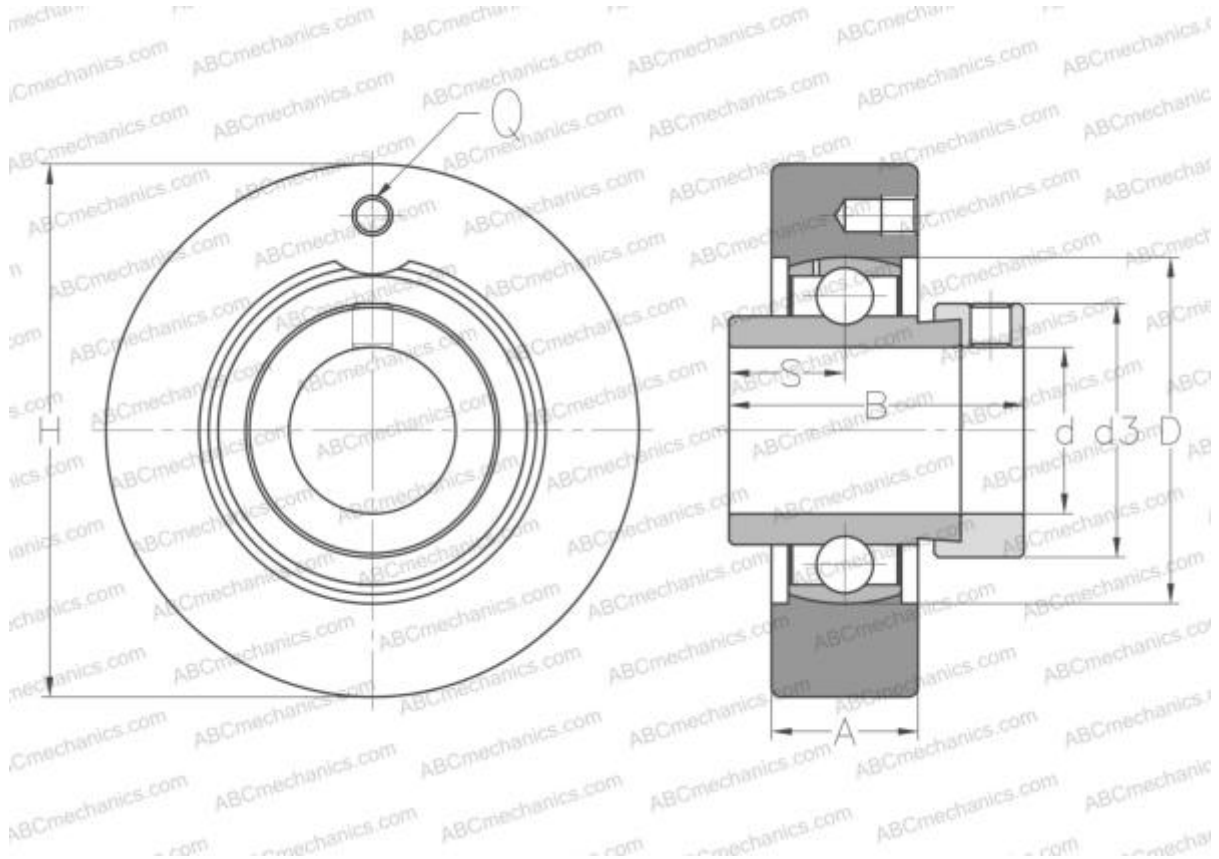


## EXC202 ABC

Ball bearing units

TYPE: Housing units, Cartridge units, Cast iron housing, Radial insert ball bearing with eccentric locking collar, With inner ring extended on both sides



### Technical specification

#### DIMENSIONS, MM

|    |        |
|----|--------|
| d  | 15,000 |
| D  | 47,000 |
| B  | 43,500 |
| H  | 72,000 |
| A  | 20,000 |
| S  | 17,000 |
| d3 | 33,300 |
| Q  | M6x1   |

#### WEIGHT, KG

|         |       |
|---------|-------|
| Bearing | EX202 |
| Housing | C204  |

#### MANUFACTURER

[ABC](#)

#### INTERCHANGE

SNR

[EXC202](#)