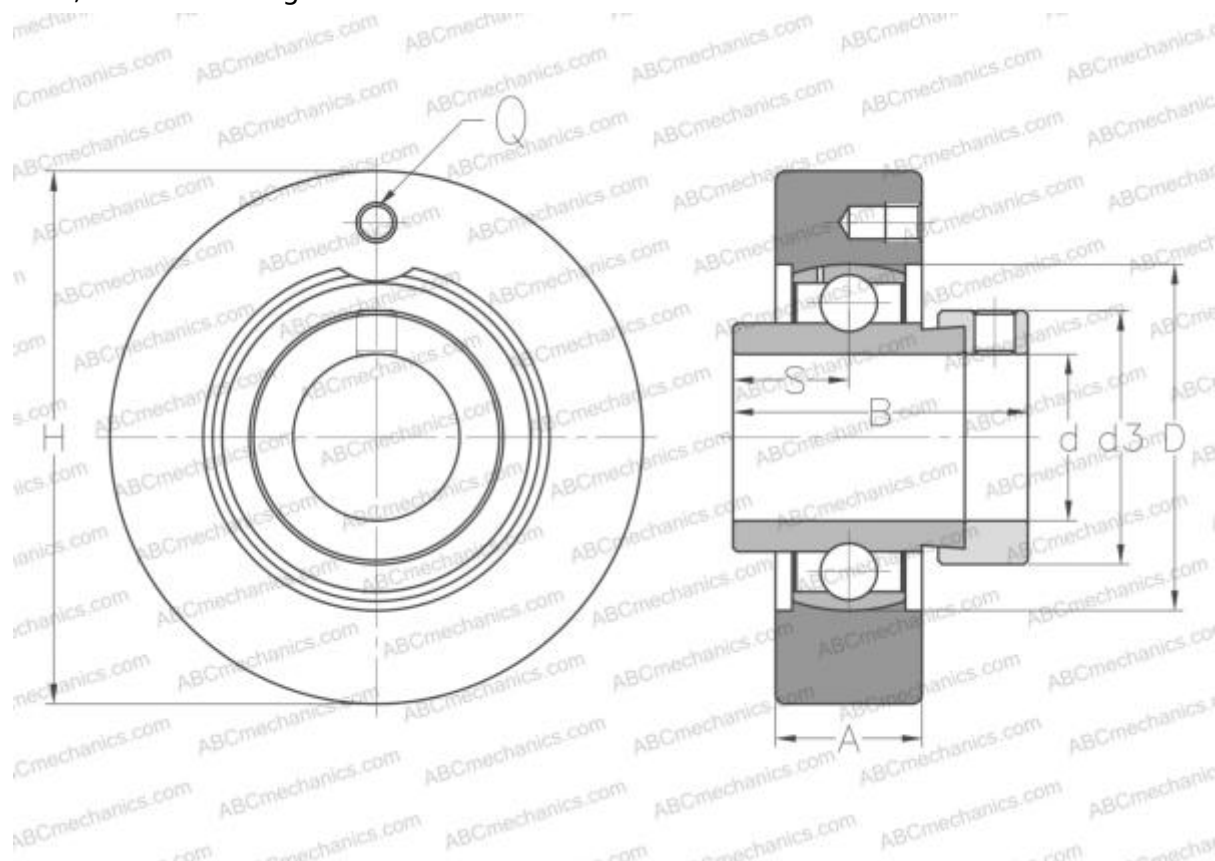


## EXC205 SNR

Ball bearing units

TYPE: Housing units, Cartridge units, Cast iron housing, Radial insert ball bearing with eccentric locking collar, With inner ring extended on both sides



### Technical specification

#### DIMENSIONS, MM

d	25,000
D	52,000
B	44,300
H	80,000
A	22,000
S	17,400
d3	38,100
Q	M6x1

#### WEIGHT, KG

Bearing	EX205
Housing	C205

#### MANUFACTURER

[SNR](#)

#### INTERCHANGE

ABC

[EXC205](#)

#### CALCULATION DATA

Basic dynamic load rating, C	14,000 kN
Basic static load rating, Co	7,880 kN
Operating temperature min	-20 °C
Operating temperature max	110 °C