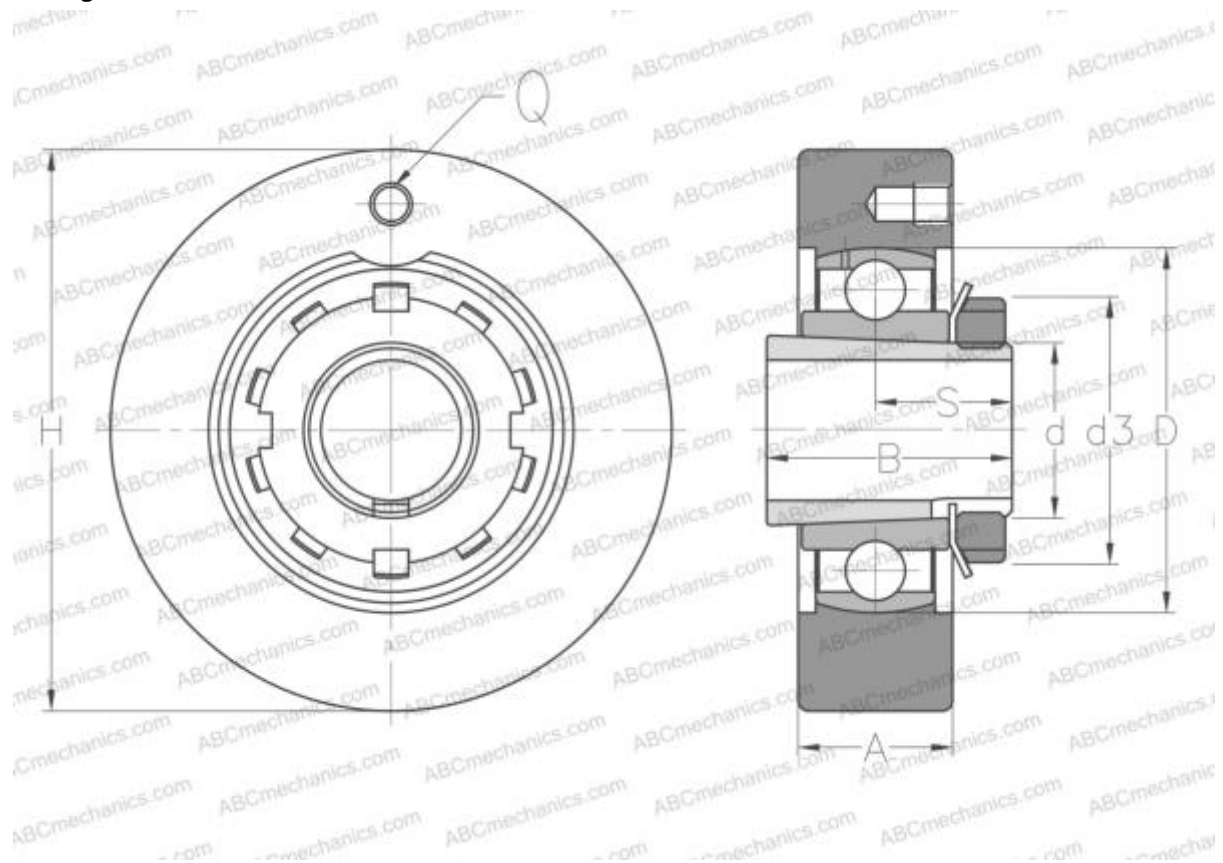


UKC205H SNR

Ball bearing units

TYPE: Housing units, Cartridge units, Cast iron housing, Radial insert ball bearing with adapter sleeve, With inner ring extended on both sides



Technical specification

DIMENSIONS, MM

d	20,000
D	52,000
B	35,000
H	80,000
A	22,000
S	18,500
d3	38,000
Q	M6x1

WEIGHT, KG

Bearing	UK205 +	0,700
Housing	C205	
Adapter sleeve	H2305	

MANUFACTURER

[SNR](#)

INTERCHANGE

ABC	UKC205H
SLB	UKC 205
FYH	UKC 205
NTN	UKC 205 D1

CALCULATION DATA

Basic dynamic load rating, C	14,000 kN
Basic static load rating, Co	7,880 kN
Operating temperature min	-20 °C
Operating temperature max	110 °C