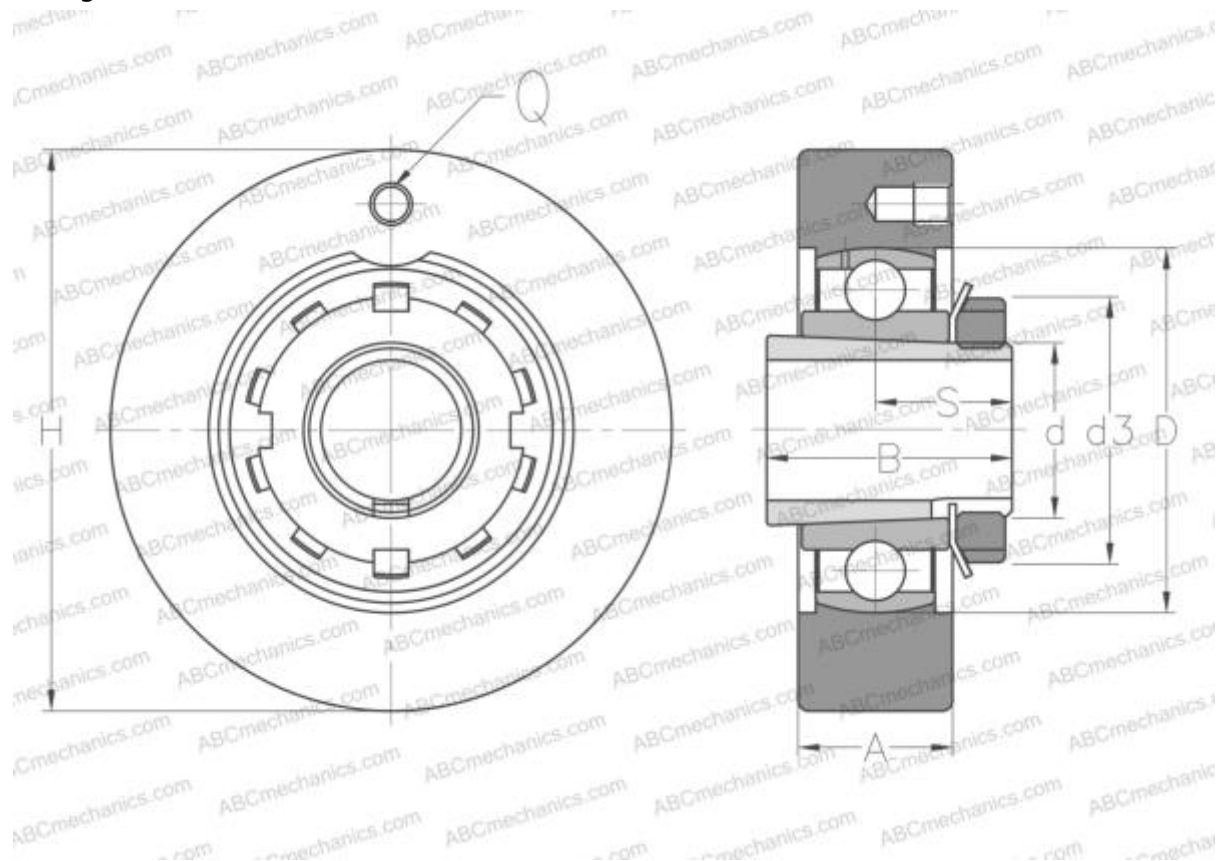


UKC306H ABC

Ball bearing units

TYPE: Housing units, Cartridge units, Cast iron housing, Radial insert ball bearing with adapter sleeve, With inner ring extended on both sides



Technical specification

DIMENSIONS, MM

d	25,000
D	72,000
B	38,000
H	100,000
A	28,000
S	23,000
d3	45,000
Q	M6x1

WEIGHT, KG

1,700

Bearing	UK306 +
Housing	C306
Adapter sleeve	H2306

MANUFACTURER

[ABC](#)

INTERCHANGE

SNR

[UKC306H](#)