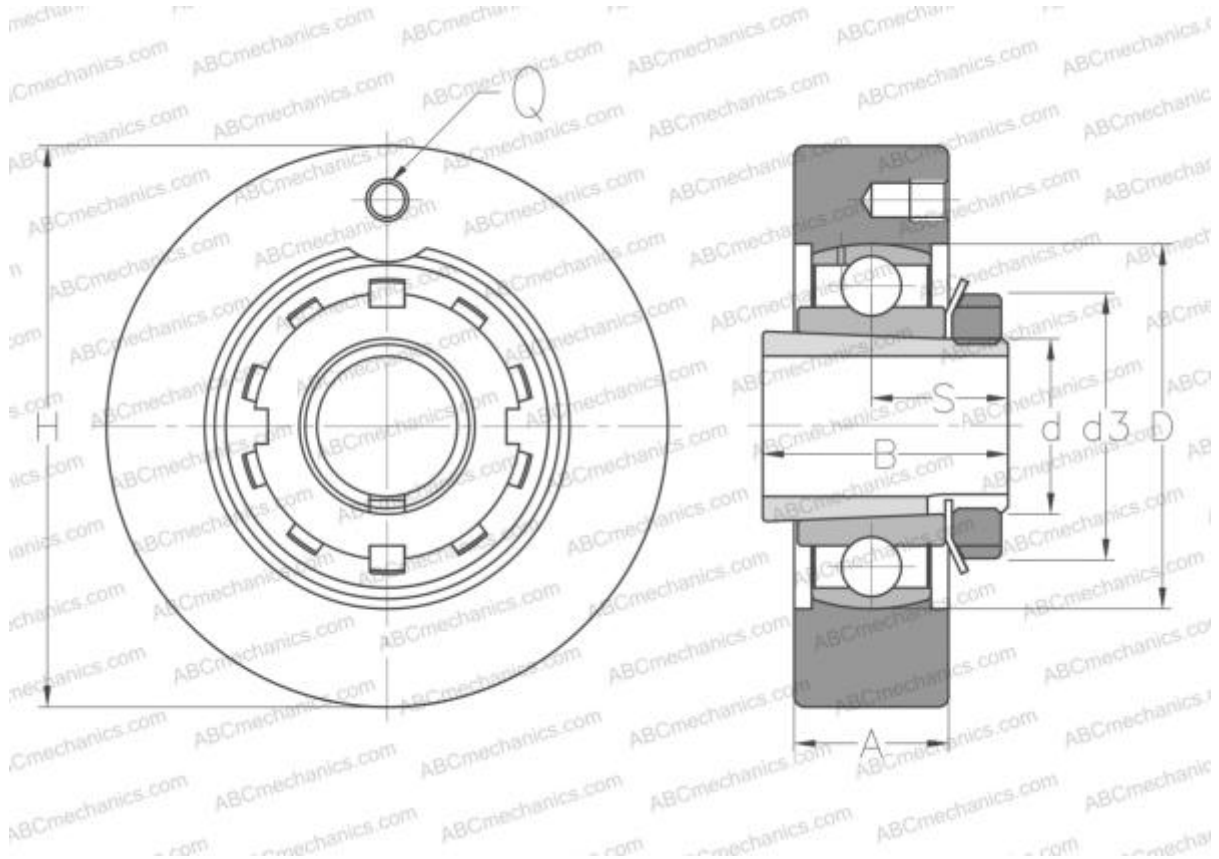


## UKC306H SNR

Ball bearing units

TYPE: Housing units, Cartridge units, Cast iron housing, Radial insert ball bearing with adapter sleeve, With inner ring extended on both sides



### Technical specification

#### DIMENSIONS, MM

d	25,000
D	72,000
B	38,000
H	100,000
A	28,000
S	23,000
d3	45,000
Q	M6x1

#### WEIGHT, KG

1,700

Bearing	UK306 +
Housing	C306
Adapter sleeve	H2306

#### MANUFACTURER

[SNR](#)

#### INTERCHANGE

ABC

[UKC306H](#)

#### CALCULATION DATA

Basic dynamic load rating, C	27,000 kN
Basic static load rating, Co	15,200 kN
Operating temperature min	-20 °C
Operating temperature max	110 °C