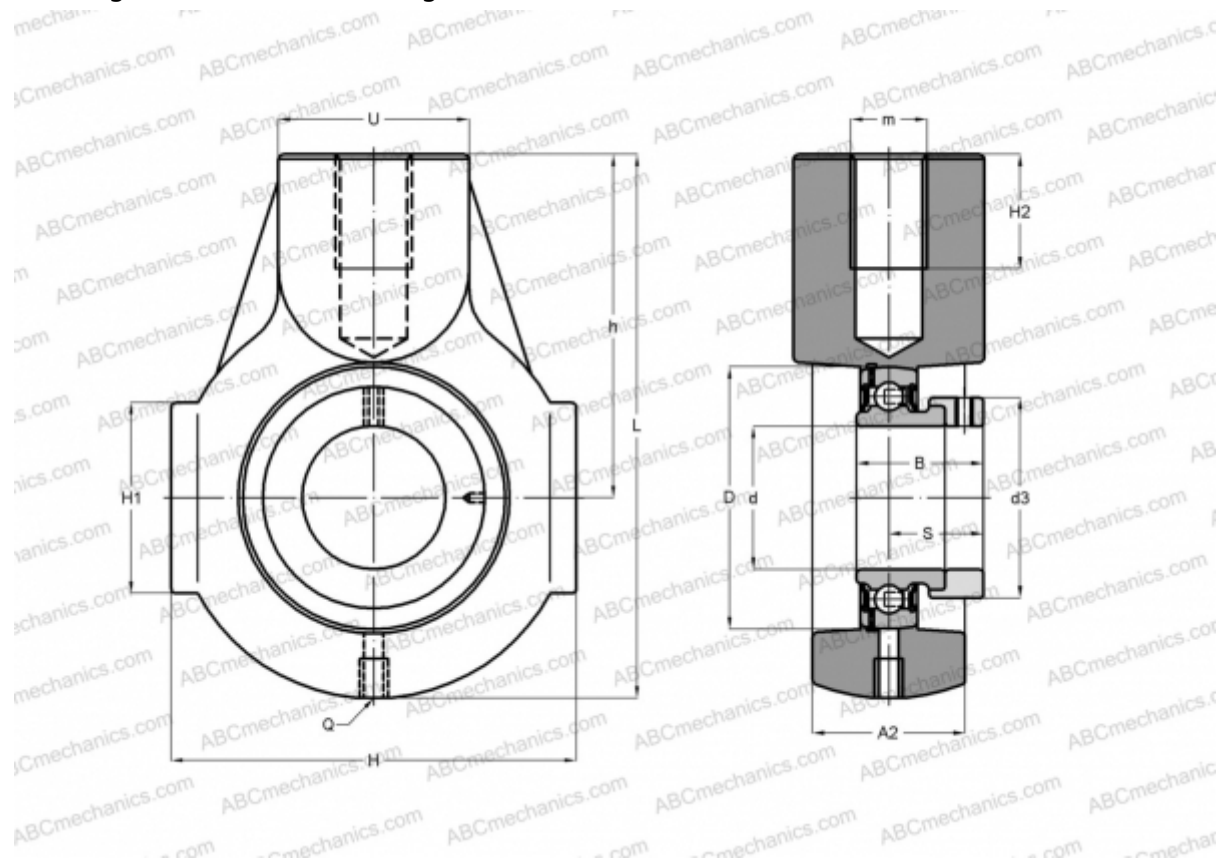


ESEHE201 SNR

Ball bearing units

TYPE: Housing units, Take-up housing units, Cast iron housing, Radial insert ball bearing with eccentric locking collar, With inner ring extended at one side, bracket



Technical specification

DIMENSIONS, MM

d	12,000
D	40,000
B	28,600
L	91,000
H	65,000
H2	21,000
A2	25,000
H1	38,000
S	6,500
d3	28,600
U	30,000
h	58,000
m	M16
Q	M6x1

WEIGHT, KG

	0,500
Bearing	ES201
Housing	EHE203

MANUFACTURER

[SNR](#)

INTERCHANGE

ABC	ESEHE201
-----	--------------------------

CALCULATION DATA

Basic dynamic load rating, C	9,550 kN
Basic static load rating, Co	4,780 kN
Operating temperature min	-20 °C
Operating temperature max	110 °C