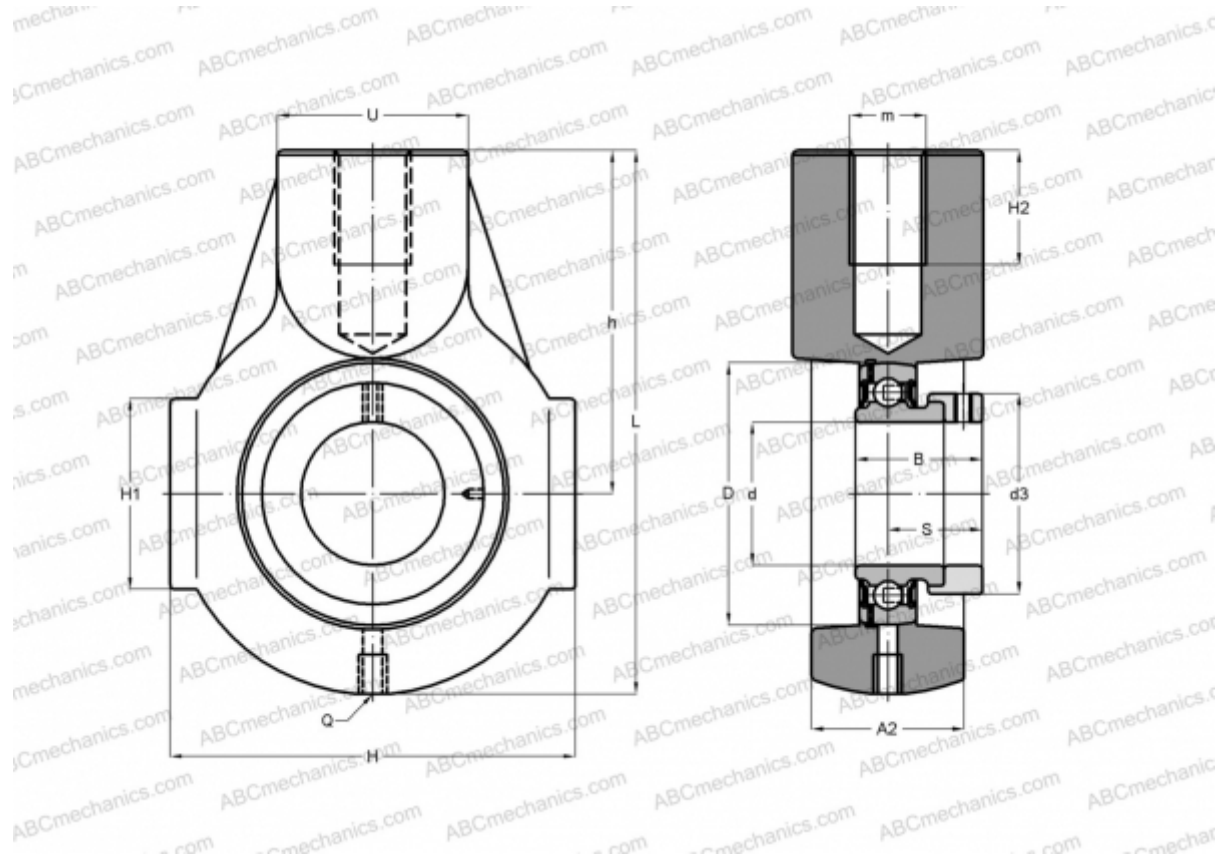


ESEHE202 SNR

Ball bearing units

TYPE: Housing units, Take-up housing units, Cast iron housing, Radial insert ball bearing with eccentric locking collar, With inner ring extended at one side, bracket



Technical specification

DIMENSIONS, MM

| | |
|----|--------|
| d | 15,000 |
| D | 40,000 |
| B | 28,600 |
| L | 91,000 |
| H | 65,000 |
| H2 | 21,000 |
| A2 | 25,000 |
| H1 | 38,000 |
| S | 6,500 |
| d3 | 28,600 |
| U | 30,000 |
| h | 58,000 |
| m | M16 |
| Q | M6x1 |

WEIGHT, KG

| | |
|---------|--------|
| Bearing | 0,500 |
| Housing | ES202 |
| | EHE203 |

MANUFACTURER

[SNR](#)

INTERCHANGE

| | |
|-----|--------------------------|
| ABC | ESEHE202 |
|-----|--------------------------|

CALCULATION DATA

| | |
|------------------------------|----------|
| Basic dynamic load rating, C | 9,550 kN |
| Basic static load rating, Co | 4,780 kN |
| Operating temperature min | -20 °C |
| Operating temperature max | 110 °C |