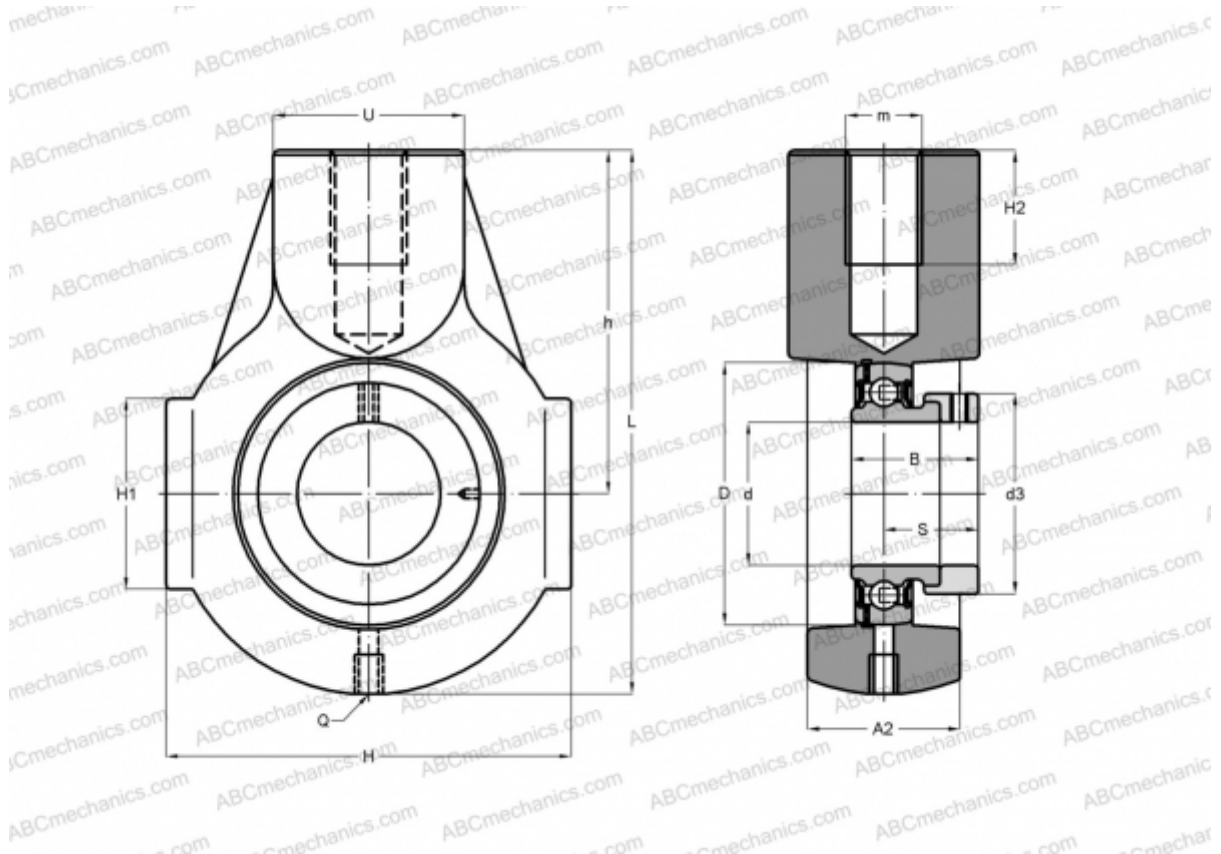


## ESEHE204 ABC

Ball bearing units

TYPE: Housing units, Take-up housing units, Cast iron housing, Radial insert ball bearing with eccentric locking collar, With inner ring extended at one side, bracket



### Technical specification

#### DIMENSIONS, MM

d	20,000
D	47,000
B	30,900
L	91,000
H	65,000
H2	21,000
A2	25,000
H1	38,000
S	7,500
d3	33,300
U	30,000
h	58,000
m	M16
Q	R1/8"

#### WEIGHT, KG

Bearing	0,700
Housing	ES204
	EHE204

#### MANUFACTURER

[ABC](#)

#### INTERCHANGE

INA	<a href="#">PHE20</a>
SNR	<a href="#">ESEHE204</a>
SLB	<a href="#">SAHA204</a>